



## Ultrasonic sensor

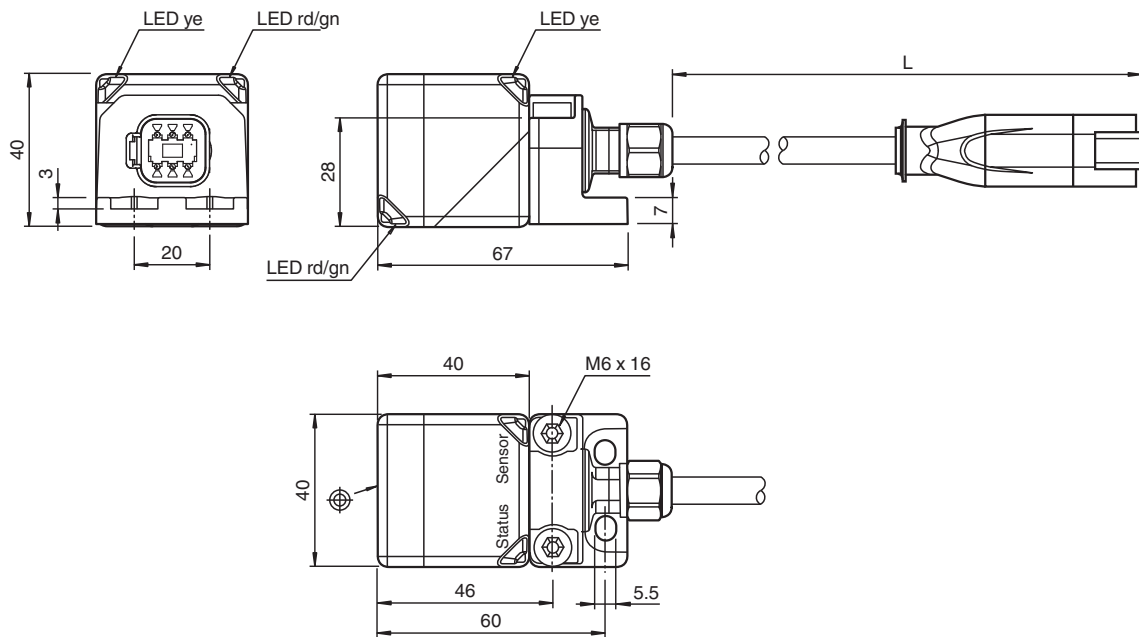
### UC4000-L2M-B16-0,3M-DT6P-M

- CANopen interface
- E1-Type approval
- High EMC resistance
- Sensor head bidirectional and rotatable
- Rugged metal base
- Function indicators visible from all directions
- Degree of protection IP68

Single head system



## Dimensions



## Technical Data

### General specifications

Sensing range	200 ... 4000 mm
Dead band	0 ... 200 mm
Standard target plate	100 mm x 100 mm
Transducer frequency	approx. 85 kHz

### Nominal ratings

Linearity error	< 40 mm
Temperature drift	< +/- 100 mm
Time delay before availability	$t_v$ ≤ 700 ms

### Functional safety related parameters

Release date: 2023-03-10 Date of issue: 2023-03-10 Filename: 70134319-100008\_eng.pdf

Refer to "General Notes Relating to Pepperl+Fuchs Product Information".

Pepperl+Fuchs Group  
www.pepperl-fuchs.com

USA: +1 330 486 0001  
fa-info@us.pepperl-fuchs.com

Germany: +49 621 776 1111  
fa-info@de.pepperl-fuchs.com

Singapore: +65 6779 9091  
fa-info@sg.pepperl-fuchs.com

**PF** PEPPERL+FUCHS

## Technical Data

MTTF <sub>d</sub>		431 a
Mission Time (T <sub>M</sub> )		20 a
Diagnostic Coverage (DC)		0 %
<b>Indicators/operating means</b>		
LED yellow		object in evaluation range
LED red/green		CANopen status display
<b>Electrical specifications</b>		
Operating voltage	U <sub>B</sub>	9 ... 30 V
No-load supply current	I <sub>0</sub>	≤ 50 mA
Power consumption	P <sub>0</sub>	typ. 0.6 W
<b>Interface</b>		
Interface type		CAN
Communication protocol		CANopen
Process data		Input: 48 Bit - measured value (distance value) 16 Bit - signal quality 8 Bit - counter-1 16 Bit or counter-2 8 Bit - status register 8 Bit
Node ID		programmable
Vendor ID		173 (0xAD)
Product code		50331651 (0x03000003)
Transfer rate		250 kBit/s , programmable 125 ... 1000 kBit/s
Termination		external
Cycle time		53.5 ms preset , programmable
Min. cycle time		53.5 ms
<b>Compliance with standards and directives</b>		
Standard conformity		
Standards		EN IEC 60947-5-2:2020 IEC 60947-5-2:2019
Communication interface		CiA 310, Ver. 4.2.0
<b>Approvals and certificates</b>		
CCC approval		CCC approval / marking not required for products rated ≤36 V
UN/ECE Regulation No. 10 (E1)		Type-approval number: 10R-069608
<b>Ambient conditions</b>		
Ambient temperature		-40 ... 85 °C (-40 ... 185 °F)
Storage temperature		-40 ... 85 °C (-40 ... 185 °F)
<b>Mechanical specifications</b>		
Connection type		fixed cable with plug
Degree of protection		IP68
Material		
Housing		PA-GF35
Connector		
Number of pins		6
Connection assembly		Deutsch connector DT04-6P-CE02 Deutsch contact 1060-16-0622 Deutsch wedge W6P
<b>Cable</b>		
Cable diameter		7.25 mm ± 0.2 mm
Bending radius		> 10 x cable diameter
Material		PUR
Color		black
Number of cores		5
Core cross section		0.8 mm <sup>2</sup>
Length	L	352 mm ± 5 mm
Mass		240 g
<b>Factory settings</b>		

Release date: 2023-03-10 Date of issue: 2023-03-10 Filename: 70134319-100008\_eng.pdf

Refer to "General Notes Relating to Pepperl+Fuchs Product Information".

Pepperl+Fuchs Group  
www.pepperl-fuchs.com

USA: +1 330 486 0001  
fa-info@us.pepperl-fuchs.com

Germany: +49 621 776 1111  
fa-info@de.pepperl-fuchs.com

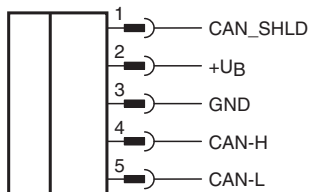
Singapore: +65 6779 9091  
fa-info@sg.pepperl-fuchs.com

 PEPPERL+FUCHS

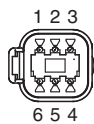
## Technical Data

Default setting	counter-1 , 8 Bit
Beam width	wide
Synchronization	deactivated
Node ID	16
Transfer rate	250 kBit/s

## Connection

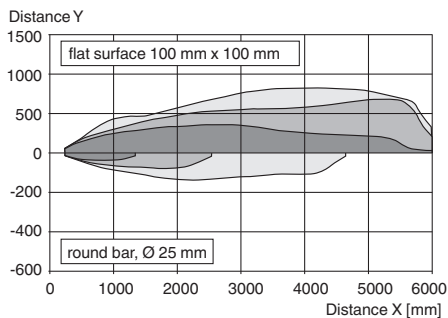


## Connection Assignment



## Characteristic Curve

### Characteristic response curve



## Accessories

	<b>V15S-TR-CAN/DN-120R</b>	Terminal resistor for DeviceNet, CANopen
	<b>DT6S-G-BK3M-PUR/1,5</b>	Female cordset single-ended Deutsch socket straight, 6-pin, PUR cable black
	<b>DT6S-G-BK3M-PUR/1,5-DT6P-G</b>	Cordset Deutsch socket straight to Deutsch plug straight, 6-pin, PUR cable black

Release date: 2023-03-10 Date of issue: 2023-03-10 Filename: 70134319-100008\_eng.pdf