



# Stack light solid light element

## VAZ-LAMP-70MM-YE

- Modular design
- Flexible combination of signal elements
- Bayonet system for simple mounting and dismounting
- 70-mm-series

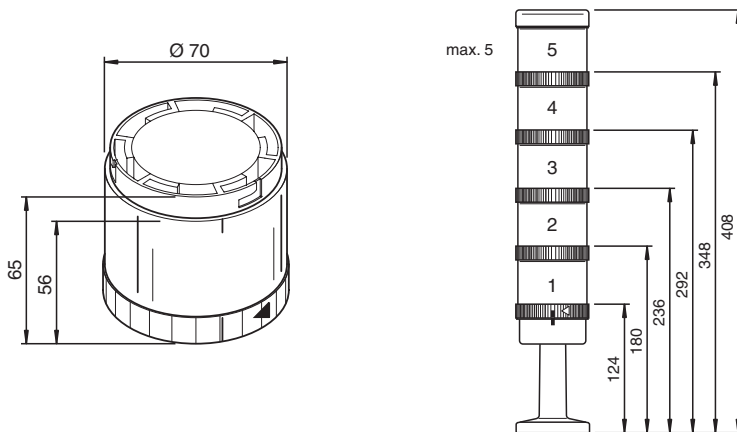
Stack light solid light element, yellow



### Function

The element lights using an incandescent, low-cost bulb. It has been designed and tested according to EN 60947-5-1. It is available in a variety of colors and is easy to fit into the corresponding connection element by means of a bayonet system. Its modular design permits any combinations and has reduced operating and storage costs.

### Dimensions



### Technical Data

General specifications	
UL File Number	E223176
Color	yellow
Electrical specifications	
Rated operating voltage	$U_e$ 24 V AC/DC
Rated operating current	$I_e$ illuminant dependend
Protection class	III
Bulb	24 V / max. 7 W holder BA15D
Compliance with standards and directives	
Directive conformity	
EMC Directive 2004/108/EC	EN 60947-5-1 EN 60947-1
Standard conformity	
Degree of protection	EN 60529
Ambient conditions	
Ambient temperature	-20 ... 60 °C (-4 ... 140 °F)

Release date: 2022-08-29 Date of issue: 2022-08-29 Filename: 216078\_eng.pdf

Refer to "General Notes Relating to Pepperl+Fuchs Product Information".

Pepperl+Fuchs Group  
www.pepperl-fuchs.com

USA: +1 330 486 0001  
fa-info@us.pepperl-fuchs.com

Germany: +49 621 776 1111  
fa-info@de.pepperl-fuchs.com

Singapore: +65 6779 9091  
fa-info@sg.pepperl-fuchs.com

**PF** PEPPERL+FUCHS

## Technical Data



### Mechanical specifications

Degree of protection	IP65
Connection	Bayonet system
Life span	illuminant dependend


## Scope of Delivery

Bulbs are not included.

## Matching System Components

	<b>VAZ-CLAMP-70MM</b>	Stack light terminal base with cover plate
	<b>VAZ-CLAMP-70MM-90°</b>	Stack light terminal base with cover plate

## Accessories

	<b>VAZ-LAMP-70MM-BULB-5W/24V</b>	Bulb for solid light element stack light
---	----------------------------------	--