



## Control interface unit

### IC-KP-B6-2V15B

- Max. 4 read/write heads connectable
- Alternative 2 read/write heads and 2 trigger sensors can be connected
- LC display with background lightning
- Direct operation via 4 keys
- LED status indicator of bus communication and read/write heads

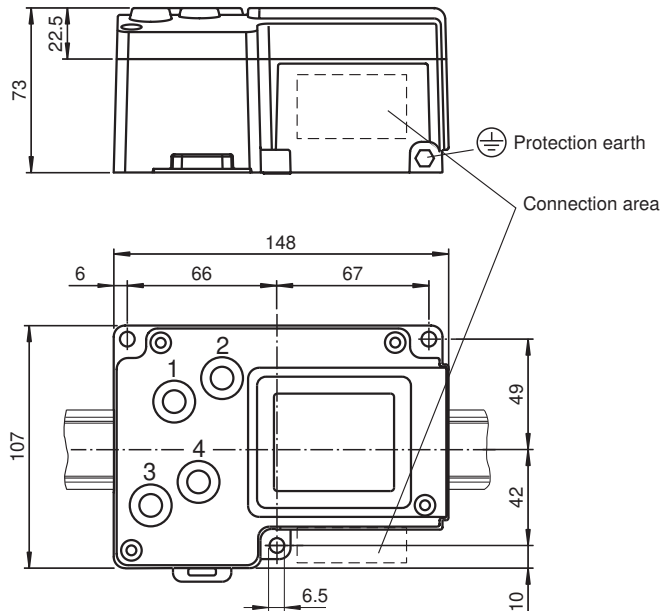
Control interface unit IDENTControl with PROFIBUS DP interface



## Function

The innovative concept of the RFID identification system IDENTControl from Pepperl+ Fuchs has many advantages in comparison to other systems. The core piece of the system is the evaluation unit IDENTControl. Thanks to the integrated interfaces for all standard field bus systems such as PROFIBUS, EtherNet, PROFINET IO, DeviceNet, serial connections (RS 232/RS 485/RS 422) and numerous connection options for inductive write/read heads as well as microwave antennas, the evaluation unit IDENTControl can be adjusted to your needs in a flexible and easy manner. LEDs indicate operating power and bus communication, connected write/read heads and active write/read commands. Mounting the unit onto DIN mounting rails is easy thanks to the snap-fits on the back of the housing of the evaluation unit IDENTControl. With its L-shaped housing, the evaluation unit including bus connector fits into a 120 mm grid in the switch cabinet. The mounting depth of 70 mm furthermore enables installation in flat switch boxes with a depth of only 100 mm. There are 3 further mounting holes for field mounting.

## Dimensions



## Technical Data

### General specifications

Release date: 2023-08-07 Date of issue: 2023-08-07 Filename: 200193\_eng.pdf

Refer to "General Notes Relating to Pepperl+Fuchs Product Information".

Pepperl+Fuchs Group  
www.pepperl-fuchs.com

USA: +1 330 486 0001  
fa-info@us.pepperl-fuchs.com

Germany: +49 621 776 1111  
fa-info@de.pepperl-fuchs.com

Singapore: +65 6779 9091  
fa-info@sg.pepperl-fuchs.com

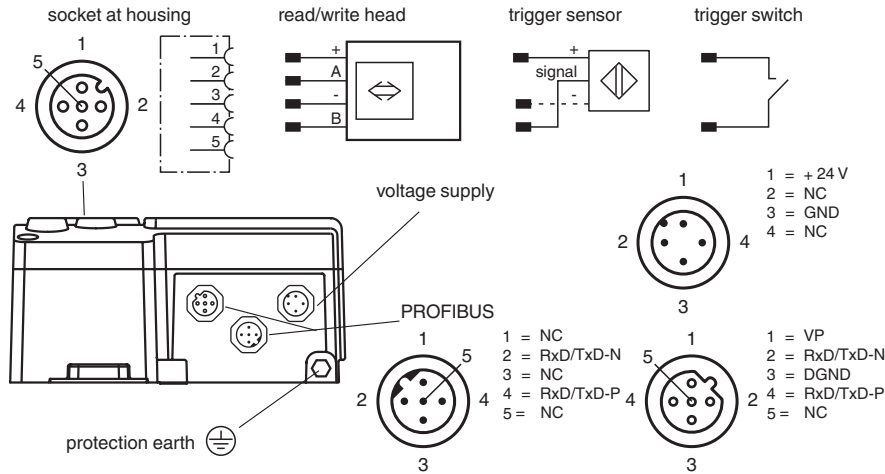
**pepperl+fuchs**

## Technical Data

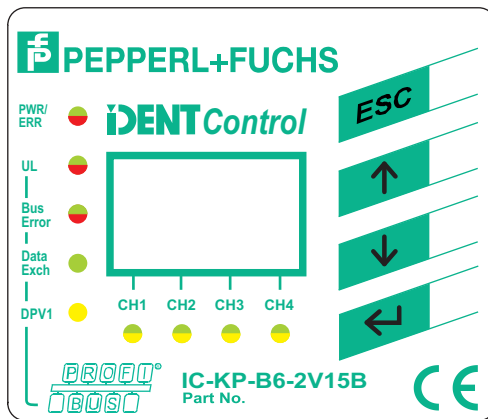
Number of read/write heads		max. 4 alternative 2 read/write heads and 2 trigger sensors
UL File Number		E87056
MTBF		100 a (Operation at +40 °C)
<b>Indicators/operating means</b>		
LEDs 1, 2, 3, 4		Status indicator for read/write heads green: command at read/write head active yellow: approx. 1 second long, if command was successfully executed
LED PWR/ERR		green: power on red: Hardware fault
LED UL		green: Interface Power ON/OK
LED Bus Error		red: Bus error
LED Data Exch		green: Slave is at state "Data Exchange"
LED DPV1		Yellow: not used
LC display		two-line multi-function display with 12 characters per line configuration of the control interface and display of connected read/write heads as additional pictograms; easy and direct selection of operating commands and addressing
Button		4 keys: ESC, up, down and return
<b>Electrical specifications</b>		
Rated operating voltage	$U_e$	20 ... 30 V DC , PELV
Ripple		≤ 10 % at 30 V DC
Current consumption		≤ 2 A incl. read/write heads
Power consumption	$P_0$	3.5 W Without read/write heads
Galvanic isolation		basic insulation acc. to DIN EN 50178, rated insulation voltage of 50 V <sub>eff</sub>
<b>Interface</b>		
Physical		RS-485
Protocol		PROFIBUS DP acc. to EN 50170
Transfer rate		9.6; 19.2; 93.75; 187.5; 500; 1500 kBit/s 3; 6; 12 Mbit/s self-synchronizing
<b>Directive conformity</b>		
Electromagnetic compatibility		
Directive 2014/30/EU		EN 61326-1
RoHS		
Directive 2011/65/EU (RoHS)		IEC/EN 63000
<b>Standard conformity</b>		
Degree of protection		IEC 60529
<b>Ambient conditions</b>		
Ambient temperature		-25 ... 70 °C (-13 ... 158 °F)
Storage temperature		-30 ... 80 °C (-22 ... 176 °F)
Climatic conditions		air humidity max. 96 % Salt spray resistant to EN 60068-2-52
Shock and impact resistance		Oscillation (Sine): 5 g, 10 - 1000 Hz to EN 60068-2-6 Shock (Half-sine): 30 g, 11 ms in accordance with EN 60068-2-27
<b>Mechanical specifications</b>		
Housing length		148 mm
Housing width		105 mm
Housing height		73 mm
Degree of protection		IP67
Connection		Read/write heads: shielded, 4-pin, M12 connector Power supply: M12 connector Protective earth: M6 earthing screw PROFIBUS: 2x M12 connector, B-coded
<b>Material</b>		
Housing		powder coated aluminum
Installation		snap-on to 35 mm standard rail or screw fixing
Mass		approx. 1000 g

Release date: 2023-08-07 Date of issue: 2023-08-07 Filename: 200193\_eng.pdf

Connection



Assembly



Accessories

	<b>V1-G-2M-PUR-ABG-V1-W</b>	Cordset M12 socket straight to M12 plug angled A-coded, 4-pin, PUR cable grey, shielded
	<b>V1-G-10M-PUR-ABG-V1-W</b>	Cordset M12 socket straight to M12 plug angled A-coded, 4-pin, PUR cable grey, shielded
	<b>V15B-G-5M-PUR-ABG-V15B-G</b>	PROFIBUS bus cable M12 socket straight to M12 plug straight B-coded, 5-pin, PUR cable 2-core violet, shielded
	<b>ICZ-TR-V15B</b>	Terminal resistor for PROFIBUS
	<b>V1-G-5M-PUR</b>	Female cordset single-ended M12 straight A-coded, 4-pin, PUR cable grey
	<b>V1-G-5M-PUR-ABG-V1-W</b>	Cordset M12 socket straight to M12 plug angled A-coded, 4-pin, PUR cable grey, shielded
	<b>V1-G-5M-PUR-ABG</b>	Female cordset single-ended M12 straight A-coded, 4-pin, PUR cable grey, shielded

Release date: 2023-08-07 Date of issue: 2023-08-07 Filename: 200193\_eng.pdf

**Accessories**

**ICZ-3T-0,3M-PUR ABG-V15B-G** Y connection cable for PROFIBUS



**ICZ-2T/TR-0,2M-PUR ABG-V15B-G** Terminal cable for PROFIBUS with terminal resistor