

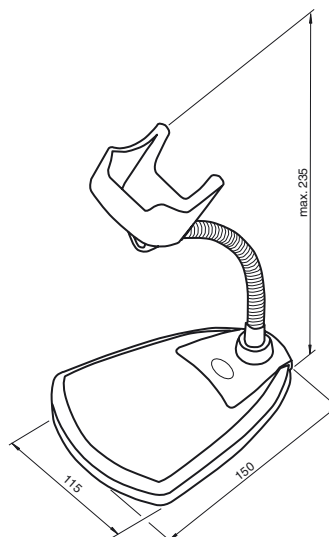


Model Number

OHV1000-BRACKET

Bracket for OHV1000-F223-R2

Dimensions



Technical data

Mechanical specifications

Mass	approx. 382 g
Dimensions	115 mm x 235 mm x 15 mm (W x H x D)
Mounting	The bracket can also be mounted without the stand.