



## Retroreflective sensor RL91-6-IR/25/38a/115



- Retroreflective sensor for single-beam closing edge protection
- Narrow housing suitable for small gaps
- Sturdy plastic housing
- Various possibilities for mounting
- Version with infrared light
- Version for supply voltage of up to 30 V DC
- Light on version

Mid-range photoelectric sensors for detecting people, objects, and vehicles



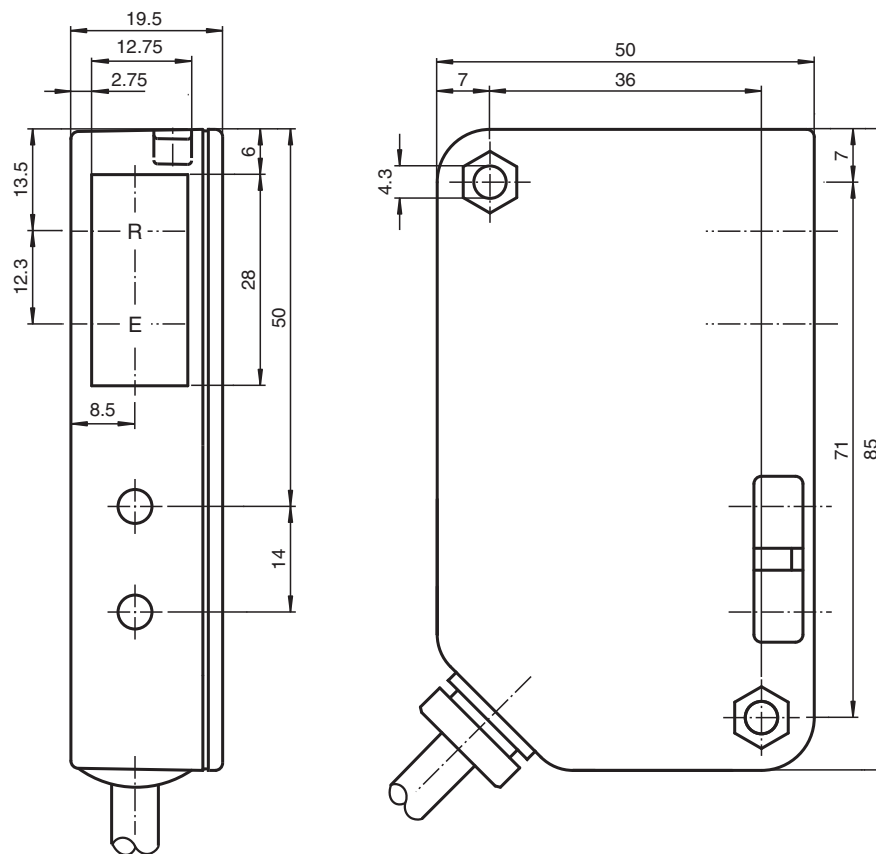
### Function

Concentration on the essentials is the hallmark of the 91 series. As ac/dc supply devices, these economical, reliable and easy-to-use photoelectric sensors can be used almost universally. Their narrow design means that they can be used in any environment. The single-beam photoelectric sensors of the 91 series are suitable for closing-edge monitoring for elevators, barriers and doors, as well as for object detection and object tracking in material handling systems.

### Application

- Closing-edge monitoring for elevators, barriers and industrial doors
- Detecting and tracking objects in material handling

## Dimensions



## Technical Data

### General specifications

Effective detection range	0 ... 6 m
Reflector distance	0 ... 6 m
Threshold detection range	9 m
Reference target	H85-2 reflector
Light source	LED
Light type	modulated infrared light
Diameter of the light spot	approx. 230 mm at a distance of 6000 mm
Opening angle	approx. 2.5 °
Ambient light limit	90000 Lux

### Functional safety related parameters

MTTF <sub>d</sub>	1083.4 a
-------------------	----------

### Indicators/operating means

Function indicator	LED red, flashes when falling short of the operating reserve
--------------------	--

### Electrical specifications

Operating voltage	U <sub>B</sub>	12 ... 30 V DC / 18 ... 28 V AC
No-load supply current	I <sub>0</sub>	< 100 mA

### Output

Switching type	light-on
Signal output	Weak current relay, 1 alternator
Switching voltage	≤ 55 V AC / 24 V DC
Switching current	1 A / 24 V DC, 0.5 A / 110 V AC

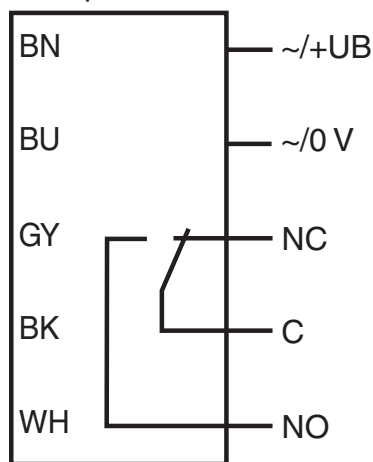
Release date: 2022-11-18 Date of issue: 2022-11-18 Filename: 419061\_eng.pdf

## Technical Data

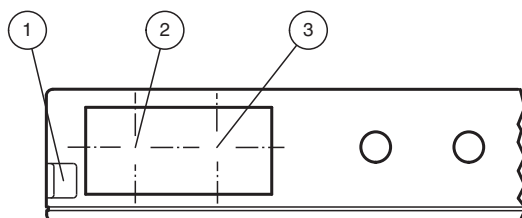
Switching power		max. 24 W / 55 VA
Switching frequency	f	25 Hz
Response time		20 ms
<b>Conformity</b>		
Product standard		EN 60947-5-2
<b>Approvals and certificates</b>		
UL approval		cULus For overcurrent protection, install a fuse with a rated current of max. 5 A and min. 55 V AC
CCC approval		CCC approval / marking not required for products rated ≤36 V
<b>Ambient conditions</b>		
Ambient temperature		-20 ... 55 °C (-4 ... 131 °F)
Storage temperature		-20 ... 75 °C (-4 ... 167 °F)
<b>Mechanical specifications</b>		
Degree of protection		IP65
Connection		5 m fixed cable
Material		
Housing		Luran®
Optical face		Luran®
Mass		100 g
Note		Safety fuse ≤ 315 mA (slow-blow) according to IEC 60127-2 Sheet 1 Recommendation: after a short circuit, check that the device is functioning correctly.

## Connection Assignment

Option:

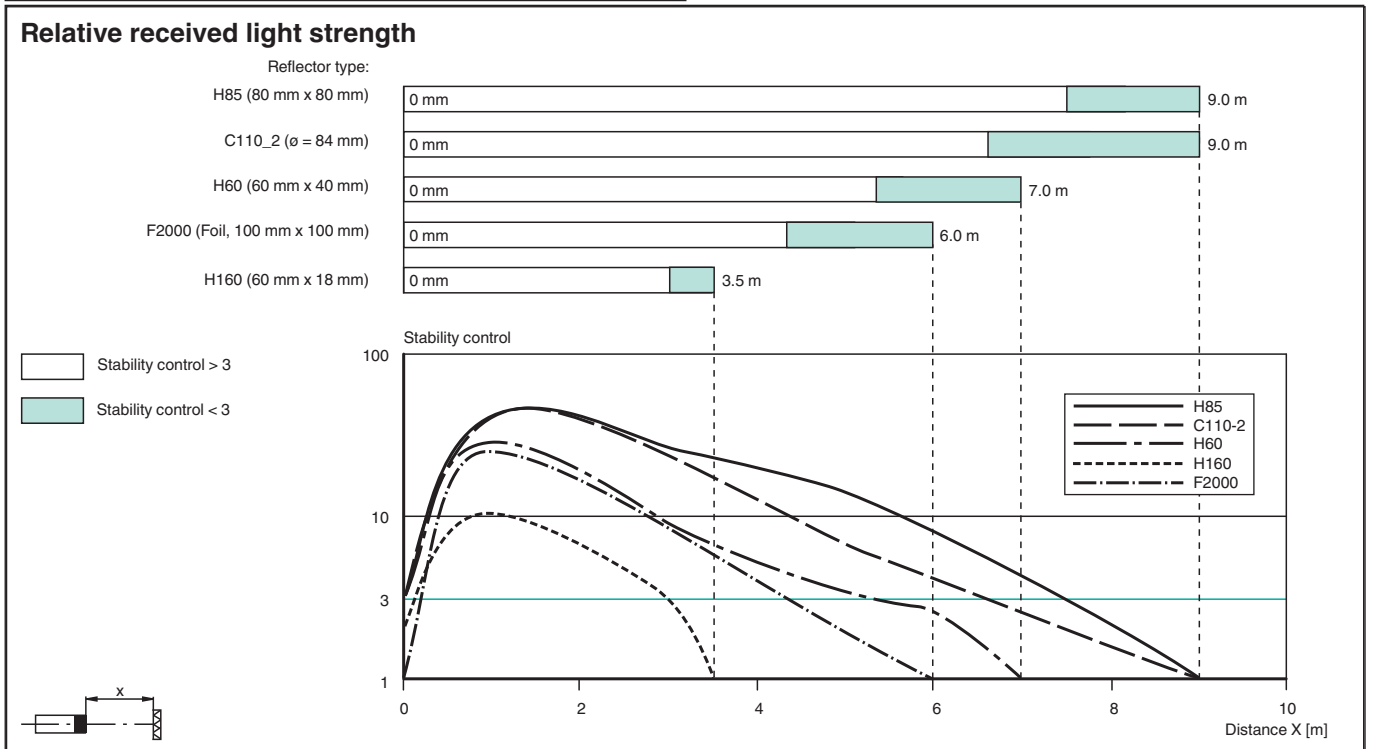
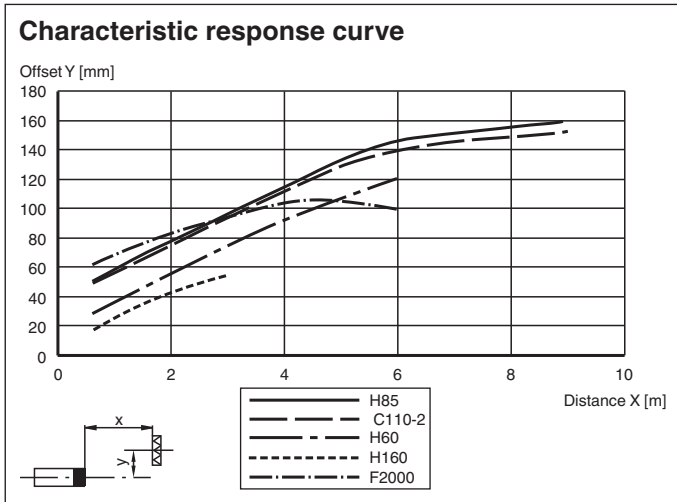


## Assembly



1	Functional display	red
2	Optical axis Receiver	
3	Optical axis Transmitter	

Characteristic Curve



Accessories

	<b>OMH-91</b>	Mounting bracket
---	---------------	------------------

Release date: 2022-11-18 Date of issue: 2022-11-18 Filename: 419061\_eng.pdf

## System Description

### System Description

The retro-reflective sensor contains both an emitter and a receiver in a single housing. A reflector reflects the light from emitter back to the receiver. If an object interrupts the light beam, the switching function is initiated.