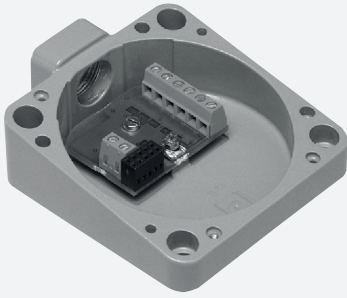


Base for read/write station

U-P4-RX



- Degree of protection IP67
- With serial interfaces RS 232 and RS 485

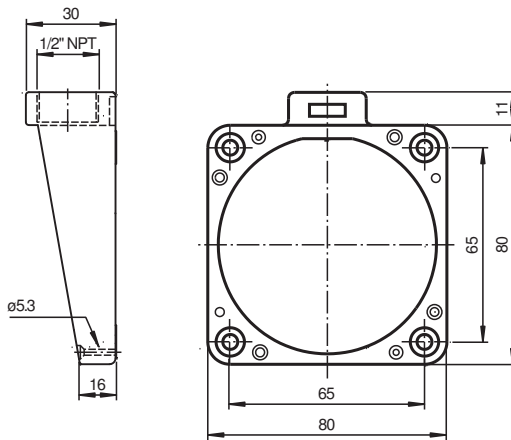
Base with serial interfaces RS 232 and RS 485



Function

The base is used in combination with an upper part, the IPT*-FP read/write station. Either an RS 232- or an RS 485-interface is available. The read/write station is connected to a higher-order control system via the serial interface and receives the commands for writing and/or reading code or data carriers via this interface.

Dimensions



Technical Data

Electrical specifications

| | | |
|-----------------------------|-------|--|
| Rated operating voltage | U_e | 20 ... 30 V DC , ripple 10 % _{SS} , PELV |
| Power consumption | P_0 | max. 4 W with read/write head IPT*-FP |
| Galvanic isolation | | |
| Operating voltage/interface | | functional insulation acc. to DIN EN 50178, rated insulation voltage 50 V _{eff} |

Interface

| | | |
|---------------|--|--|
| Physical | | RS-232/RS-485 |
| Protocol | | ASCII |
| Transfer rate | | 1200; 2400; 4800; 9600; 19200; 38400 |
| Cable length | | ≤ 15 m at RS 232 ≤ 1200 m at RS-485 |

Ambient conditions

Release date: 2020-03-31 Date of issue: 2020-03-31 Filename: 113812_eng.pdf

Refer to "General Notes Relating to Pepperl+Fuchs Product Information".

Pepperl+Fuchs Group
www.pepperl-fuchs.com

USA: +1 330 486 0001
fa-info@us.pepperl-fuchs.com

Germany: +49 621 776 1111
fa-info@de.pepperl-fuchs.com

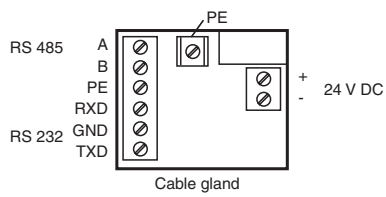
Singapore: +65 6779 9091
fa-info@sg.pepperl-fuchs.com

PF PEPPERL+FUCHS

Technical Data

| | |
|----------------------------------|---|
| Ambient temperature | -25 ... 70 °C (-13 ... 158 °F) |
| Storage temperature | -40 ... 85 °C (-40 ... 185 °F) |
| Mechanical specifications | |
| Degree of protection | IP67 according to EN 60529 with IPT*-FP |
| Connection | screw terminals |
| Interface cable | 3 conductor, acc. to RS-232 or 2 acc. to RS-485 |
| Supply | up to 3 x 1.5 mm ² |
| Material | |
| Housing | diecast aluminum |

Connection



Programming

Communication with the identification system is very easy with the demo program IDENT 2005. It shows the system options and simplifies commissioning.

The demo program is included in the scope of delivery.