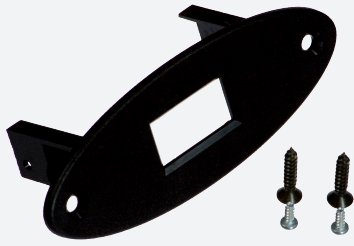


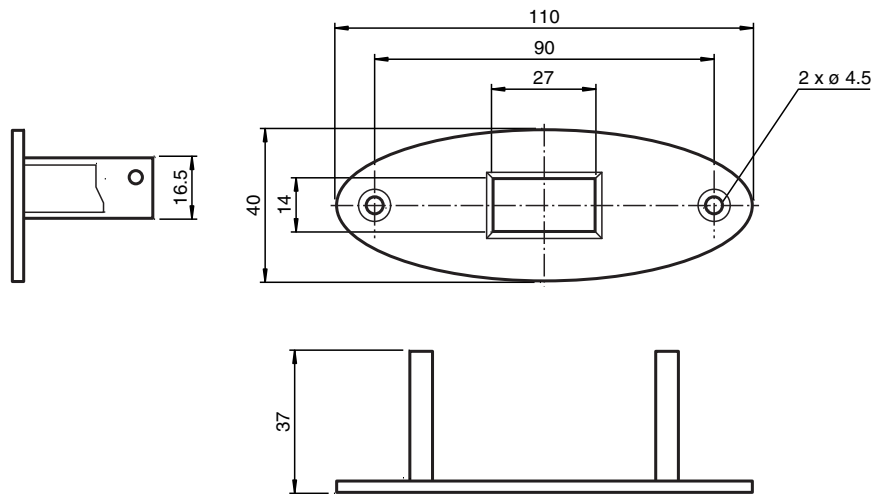
Mounting aid DGE Flush Mounting PIR20



■ Simple mounting

Flush-mounted frame for sensors in the PIR20

Dimensions



Technical Data

General specifications

Setting angle 0°

Mechanical specifications

Material black ABS

Mass approx. 11 g

Technical Data

Dimensions	110 mm x 40 mm x 37 mm
Mounting	Mounting accessories included
Suitable series	
Series	PIR20

Release date: 2020-03-23 Date of issue: 2020-10-08 Filename: 203967_eng.pdf

Refer to "General Notes Relating to Pepperl+Fuchs Product Information".

Pepperl+Fuchs Group
www.pepperl-fuchs.com

USA: +1 330 486 0001
fa-info@us.pepperl-fuchs.com

Germany: +49 621 776 1111
fa-info@de.pepperl-fuchs.com

Singapore: +65 6779 9091
fa-info@sg.pepperl-fuchs.com

Flush mounting



1. Insert the sensor into the brackets.
2. Use the provided screws (2.9 mm x 6.5 mm) for fixing the sensor.
3. Integrate the mounted sensor into the hole with dimensions **77 mm x 29 mm** and fixing with provided screws.