



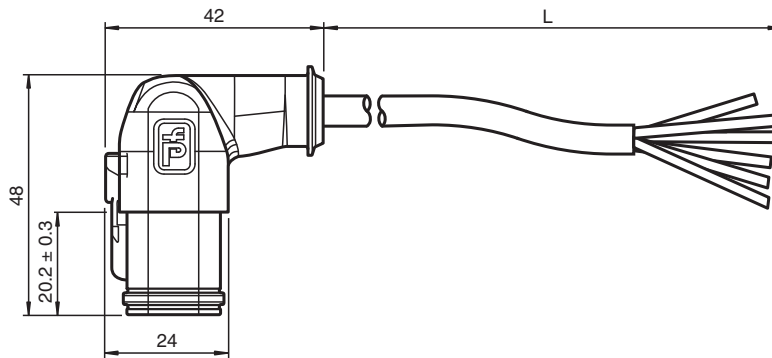
Female cordset DT6S-W-BK10M-PUR/1,5

- Hard-wearing PUR cable
- Degree of protection IP68
- Free of paint wetting interfering substances
- Resistant to microbes and hydrolysis
- UV resistant
- Oil resistant
- Snap locking

Female cordset single-ended Deutsch socket angled, 6-pin, PUR cable black



Dimensions



Technical Data

General specifications

Connector 1		
Connection		socket
Construction type		Deutsch connectors
Style		angled
Locking		snap locking
Number of pins		6
Connector 2		
Connection		cable end

Electrical specifications

Operating voltage	U_B	max. 48 V AC / 60 V DC
Operating current	I_B	max. 8 A per contact

Conformity

Degree of protection		EN 60529
Oil resistance		IEC 60881:404

Ambient conditions

Ambient temperature		
Plug connector		-40 ... 125 °C (-40 ... 257 °F)
Cable, fixed		-40 ... 85 °C (-40 ... 185 °F)
Cable, flexing		-25 ... 85 °C (-13 ... 185 °F)

Release date: 2023-09-05 Date of issue: 2023-09-05 Filename: 70116682_eng.pdf

Refer to "General Notes Relating to Pepperl+Fuchs Product Information".

Pepperl+Fuchs Group
www.pepperl-fuchs.com

USA: +1 330 486 0001
fa-info@us.pepperl-fuchs.com

Germany: +49 621 776 1111
fa-info@de.pepperl-fuchs.com

Singapore: +65 6779 9091
fa-info@sg.pepperl-fuchs.com

 PEPPERL+FUCHS

Technical Data

Pollution degree		3
Mechanical specifications		
Plug connector		
Loosening protection		available
Degree of protection		IP68
Cable		according to IEC/EN 60228 (DIN VDE 0295) class 6
Sheath diameter		8.8 mm
Bending radius		> 8 x cable diameter, moving > 4 x cable diameter, fixed
Sheath stripping force		max. 50 N / 300 mm
Sheath color		black (similar to RAL 9005)
Number of cores		6
Core cross section		1.5 mm ²
Cores color		Core 1: white Core 2: brown Core 3: blue Core 4: orange Core 5: green Core 6: black
Core construction		84 x 0.15 mm Ø
Length	L	10 m
Cable code		Li 9Y 11Y 6 x 1,5
Material		
PWIS free		yes
Plug connector		
Body		PA, black
Contact surface		Ni
Flammability		V-2
Cable		
Sheathing		PUR based on polyether
Core insulation		PP
UV resistance		yes
Chemical resistance		good
Oil resistance		yes
Microbial resistance		yes
Hydrolysis resistance		yes

Connection



1	⌋	WH
2	⌋	BN
3	⌋	BU
4	⌋	OG
5	⌋	GN
6	⌋	BK