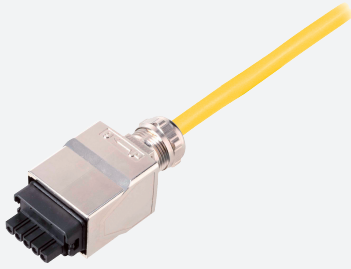


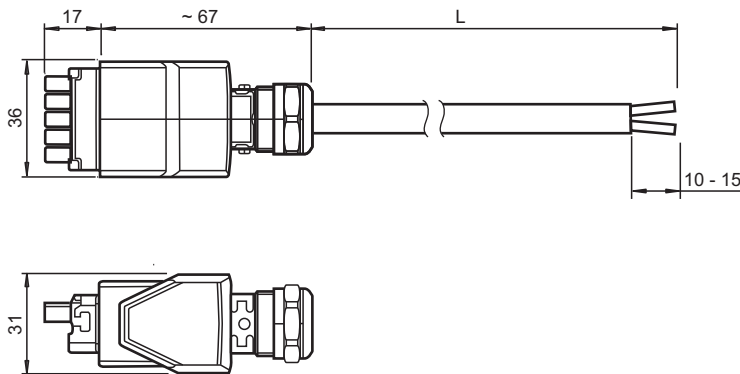
Connection cable ICZ-AIDA3-MSTB-5M-PUR



■ Lockable

Connection cable MSTB to cable tail

Dimensions



Technical Data

General specifications	
Number of pins	2
Electrical specifications	
Rated current	I_r 16 A
Nominal voltage	24 V
Ambient conditions	
Ambient temperature	-40 ... 70 °C (-40 ... 158 °F)
Mechanical specifications	
Degree of protection	IP65
Connection	5-pin Combicon socket to open cable end
Material	
Housing	Zinc die-casting, nickel-plated
Core insulation	TPE
Cable	
Sheath diameter	10 mm
Bending radius	> 10 x cable diameter, moving > 4 x cable diameter, fixed

Release date: 2020-03-24 Date of issue: 2020-03-27 Filename: 303084_eng.pdf

Refer to "General Notes Relating to Pepperl+Fuchs Product Information".

Pepperl+Fuchs Group
www.pepperl-fuchs.com

USA: +1 330 486 0001
fa-info@us.pepperl-fuchs.com

Germany: +49 621 776 1111
fa-info@de.pepperl-fuchs.com

Singapore: +65 6779 9091
fa-info@sg.pepperl-fuchs.com

pf PEPPERL+FUCHS

Technical Data

Color		yellow (RAL 1016)
Cores		2 x 2.5 mm ²
Length	L	5 m

Connection

