

AS-Interface flat cable VAZ-FK-S-YE-500M

- Cable piercing technique
- Resistant to environmental influence
- Resistant to bending
- Reverse polarity protected due to the shape of the cable
- Halogen-free (PVC-free)
- Does not give off silicone
- Graduations in meters

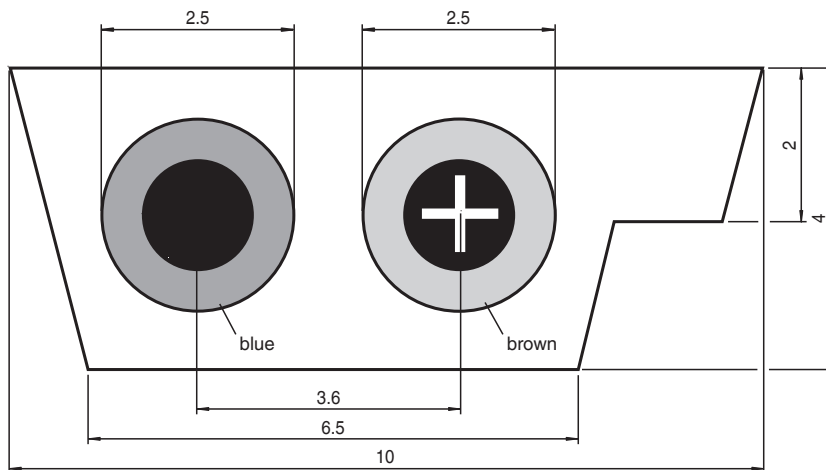
AS-Interface flat cable



Product Versions

+++ SAFETY +++
Is also available with black SAFETY print (order code VAZ-FK-S-YE-SAFETY)

Dimensions



Technical Data

Electrical specifications

| | |
|--------------------------|-----------------------------------------------------|
| Nominal voltage | 30.5 V |
| Current loading capacity | According to DIN VDE 0298 Part 4, Table 6, Column 4 |

Ambient conditions

| | |
|-----------------------|-------------------------------------------------------------------------------------------|
| Conductor temperature | Operating mode: 90 °C (363 K) Short-circuit: 200 °C (473 K) |
| Ambient temperature | -40 ... 85 °C (-40 ... 185 °F) at standstill, -25 ... 85 °C (-13 ... 185 °F) in motion |

Mechanical specifications

| | |
|--------------------|--------------------------------------------------------------------------------------------------------------------------------------------|
| Core cross section | Copper tin-plated, extra-fine wire, class 6 in accordance with DIN VDE 0295 cross-section 1.5 mm ² |
| Bending radius | min. permissible bend radii in accordance with DIN VDE 0298 Part 3, Table 2 Bending stress only permitted on the wide side of the cable |
| Tension loading | max. 50 N/mm ² on laying acc. to DIN VDE 0298 Part 3 |

Release date: 2022-06-20 Date of issue: 2022-06-20 Filename: 263943_eng.pdf

Refer to "General Notes Relating to Pepperl+Fuchs Product Information".

Pepperl+Fuchs Group
www.pepperl-fuchs.com

USA: +1 330 486 0001
fa-info@us.pepperl-fuchs.com

Germany: +49 621 776 1111
fa-info@de.pepperl-fuchs.com


Singapore: +65 6779 9091
fa-info@sg.pepperl-fuchs.com

PF PEPPERL+FUCHS

Technical Data

| | |
|-----------------|-----------------------------------------------------------------------------------------------------------------------------------|
| Material | EPDM Rubber compound EM3, based on DIN VDE 0207 Part 21 |
| Core insulation | Rubber compound in accordance with DIN VDE 0207 Part 20 |
| Cable | |
| Color | yellow (similar to RAL 1012) |
| Cable length | 500 m |
| Note | The cable is intended for use as a bus power line in inside areas. Only cable with a black sheathing is suitable for outside use. |

Accessories

| | | |
|-----------------------------------------------------------------------------------|-------------------|--------------------------------------|
|  | VAZ-FK-ED3 | AS-Interface end seal for flat cable |
|-----------------------------------------------------------------------------------|-------------------|--------------------------------------|