

## Ultrasonic -deflector

### UVW90-K18

- Clamp mounting
- 90° sound deflection for difficult installation circumstances
- Universal Orientation

Ultrasonic -deflector

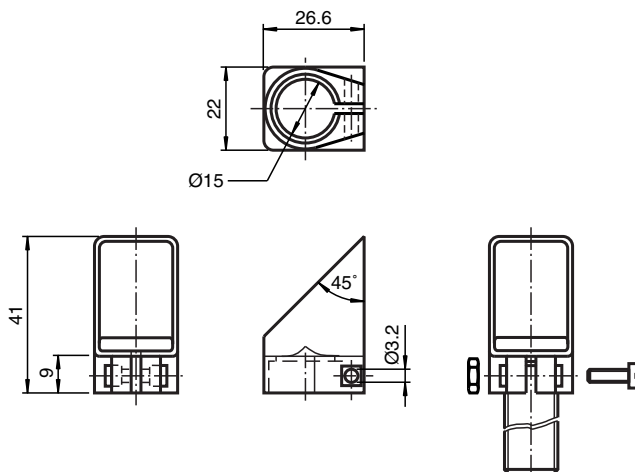
## Function

Sound deflector for cylindrical ultrasonic sensors.

- Clamp mounting
- 90° sound deflection for difficult installation circumstances
- Universal installation position

On the underside of the slope the sound deflector has a hole over the complete width. Falling particle of dust can not congregate in the focusing attachment. The function is also guaranteed in dusty environment.

## Dimensions



## Technical Data

### Mechanical specifications

Material	PMMA
----------	------

## Technical Data

Mass	15 g
------	------

Release date: 2021-02-05 Date of issue: 2021-02-05 Filename: 112243\_eng.pdf

Refer to "General Notes Relating to Pepperl+Fuchs Product Information".

Pepperl+Fuchs Group  
www.pepperl-fuchs.com

USA: +1 330 486 0001  
fa-info@us.pepperl-fuchs.com

Germany: +49 621 776 1111  
fa-info@de.pepperl-fuchs.com

Singapore: +65 6779 9091  
fa-info@sg.pepperl-fuchs.com