



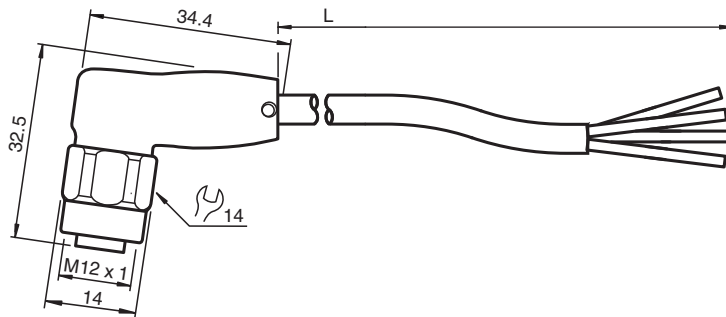
Female connector V1-WV4A-25M-PP-W1

- Suitable for applications in the splash area in the food and beverage industry
- Certified by ECOLAB
- Resistant to all common acid and alkaline cleaning products and disinfectants
- Degree of protection IP67 / IP68 / IP69
- Suitable for drag chains and abrasion resistant
- Halogen-free (PVC-free)
- Materials used compliant with FDA

Female cordset, M12, 4-pin, PP cable



Dimensions



Technical Data

General specifications			
Number of pins			4
Connection 1			socket
Construction type 1			straight
Threading 1			M12
Connection 2			cable end
Electrical specifications			
Operating voltage	U_B		max. 250 V AC/DC
Operating current	I_B		max. 4 A
Compliance with standards and directives			
Standard conformity			
Degree of protection			EN 60529
Standards			IEC 61076-2-101
Halogen-free			IEC 60754-1
Temperature resistance			DIN EN 60811-1-4
Material			FDA-compliant in accordance with FDA 21 CFR 177.2600
Ambient conditions			

Release date: 2020-08-12 Date of issue: 2020-08-12 Filename: 70125867_eng.pdf

Refer to "General Notes Relating to Pepperl+Fuchs Product Information".

Pepperl+Fuchs Group
www.pepperl-fuchs.com

USA: +1 330 486 0001
fa-info@us.pepperl-fuchs.com

Germany: +49 621 776 1111
fa-info@de.pepperl-fuchs.com

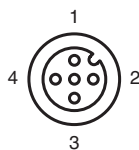
Singapore: +65 6779 9091
fa-info@sg.pepperl-fuchs.com

PEPPERL+FUCHS

Technical Data

Ambient temperature		cable, flexing: -25 ... 105 °C (-13 ... 221 °F) cable, fixed: -40 ... 105 °C (-40 ... 221 °F)
Pollution degree		3
Mechanical specifications		
Contact elements		spring-loaded contact socket
Degree of protection		IP67 / IP68 / IP69
Material		
Contacts		CuSn
Contact surface		Ni/Au
Body		PP
Cable		PP-EPDM
Slotted nut		stainless steel V4A
Seal		FKM
Core insulation		PP
Temperature resistance		Cold bending-resistant and cold impact-resistant up to -40 °C (-40 °F)
Cable		extra-fine wire, flexible
Sheath diameter		Ø 4.7 mm
Bending radius		> 10 x cable diameter, moving > 5 x cable diameter, fixed
Color		grey
Cores		4 x 0.34 mm ²
Conductor construction		42 x 0.1 mm Ø
Length	L	25 m
Drag chain suitability		
Drag chain cycles		min. 4000000
Motion velocity		max. 3 m/s
Traverse distance		10 m
Acceleration		max. 10 m/s ²
Torsion cycles		min. 4000000
Torsional stress		± 270 °/m
Tightening torque, cable gland		0.4 ... 0.6 Nm
Mating cycles		min. 100

Connection Assignment



- 1) _____ BN
- 2) _____ WH
- 3) _____ BU
- 4) _____ BK

Release date: 2020-08-12 Date of issue: 2020-08-12 Filename: 70125867_eng.pdf

Refer to "General Notes Relating to Pepperl+Fuchs Product Information".