

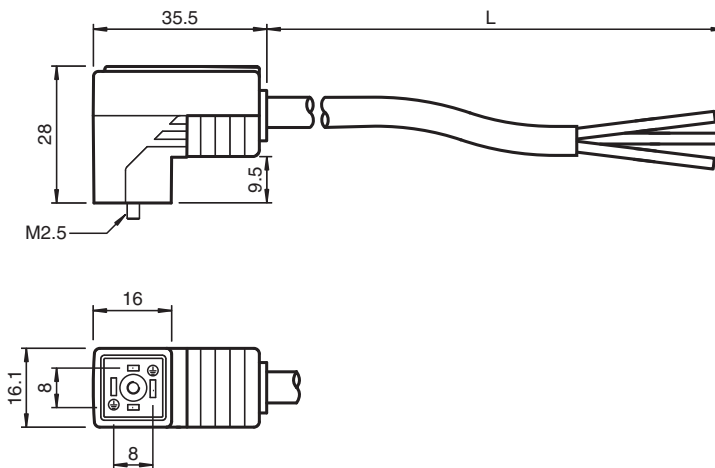
## Valve Connector Cordset VMC-2+P-2M-PUR

- Valve connector according EN 175301-803 A/ISO 4400
- Moulded seal
- Suitable for drag chains and abrasion resistant
- freely selectable cable models due to bridged protective earth
- Immunity to vibration, with mechanical latching

Valve connector, Form C, 2+PE, PUR cable



### Dimensions



### Technical Data

#### General specifications

Connector 1	
Connection	Valve connector DIN
Style	angled
Locking	screw connection
Number of pins	2 + PE
Connector 2	
Connection	cable end

#### Electrical specifications

Operating voltage	$U_B$	max. 230 V AC/DC
Operating current	$I_B$	max. 6 A

#### Conformity

Degree of protection	EN 60529
Plug connection	Valve Connector Cordset : DIN EN 175301-803
Flammability	DIN VDE 0482 , DIN EN 50265-2-1
Halogen-free	DIN VDE 0472-815

#### Ambient conditions

Release date: 2023-09-04 Date of issue: 2023-09-04 Filename: 456849\_eng.pdf

Refer to "General Notes Relating to Pepperl+Fuchs Product Information".

Pepperl+Fuchs Group  
www.pepperl-fuchs.com

USA: +1 330 486 0001  
fa-info@us.pepperl-fuchs.com

Germany: +49 621 776 1111  
fa-info@de.pepperl-fuchs.com

Singapore: +65 6779 9091  
fa-info@sg.pepperl-fuchs.com

PEPPERL+FUCHS

## Technical Data

Ambient temperature		
Plug connector		-20 ... 85 °C (-4 ... 185 °F)
Cable, fixed		-40 ... 80 °C (-40 ... 176 °F)
Cable, flexing		-20 ... 80 °C (-4 ... 176 °F)
Pollution degree		3
<b>Mechanical specifications</b>		
Plug connector		
Tightening torque		0.6 Nm
Tool installation		screw M2.5 x 27.5
Degree of protection		IP65/IP67
Cable		
according to IEC/EN 60228 (DIN VDE 0295) class 5		
Sheath diameter		4.5 mm
Bending radius		> 50 mm > 22.5 mm, fixed
Sheath color		dark grey (RAL 7021)
Number of cores		3
Core cross section		0.5 mm <sup>2</sup>
Cores color		Core 1: black 1 Core 2: black 2 Core 3: green/yellow
Core construction		28 x 0.15 mm Ø
Length	L	2 m
Cable code		Li 9Y 11Y 3 x 0,50
Drag chain suitability		
Drag chain cycles		min. 15000000
Motion velocity		max. 5 m/s
Traverse distance		0.9 m
Acceleration		max. 30 m/s <sup>2</sup>
<b>Material</b>		
Halogen-free		yes
Plug connector		
Body		TPU, black
Seal		TPU , molded
Contact surface		Sn
Flammability		V-0
Cable		
Sheathing		PUR
Core insulation		PP
UV resistance		yes
Oil resistance		good
Flammability		V-0

## Connection

