

Cable gland

CP-CGL-MS-5/16-M20 5pcs

- Suitable for 5/16" flexible metal conduit

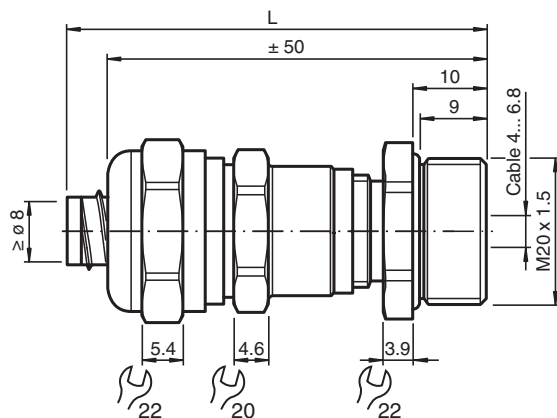


Cable gland M20 for cable diameter 4 ... 6.8 mm and 5/16" flexible metal conduit

Function

The cable gland is used in conjunction with a suitable flexible conduit and a suitable sensor adapter to form a cable protection system for sensors. The purpose of this system is to protect the sensor wiring in harsh environments.

Dimensions



Technical Data

Mechanical specifications

Clamping range (D)	
Seal insert	outer seal: for cable diameter 6 ... 6.8 mm outer seal + inner seal: for cable diameter 4 ... 6 mm
Thread type	metric
Thread size	M20 x 1.5
Degree of protection	IP65
Material	
Cable gland	brass, nickel-plated
Seal	Seal two-piece , synthetic rubber EDPM V0
Clamping ring	brass, nickel-plated
O-Ring	NBR

Release date: 2020-06-30 Date of issue: 2020-06-30 Filename: 307505_eng.pdf

Refer to "General Notes Relating to Pepperl+Fuchs Product Information".

Pepperl+Fuchs Group
www.pepperl-fuchs.com

USA: +1 330 486 0001
fa-info@us.pepperl-fuchs.com

Germany: +49 621 776 1111
fa-info@de.pepperl-fuchs.com





Singapore: +65 6779 9091
fa-info@sg.pepperl-fuchs.com

 PEPPERL+FUCHS

Technical Data

Mass	66 g
General information	
Supplementary information	observe mounting instructions

Matching system components

	CP-CDT-MS-5/16-10M	5/16" flexible metal conduit 10 m
	CP-ADP-MS-5/16-M18 5pcs	Sensor adapter for M18 sensors and 5/16" flexible metal conduit
	CP-ADP-MS-5/16-M30 5pcs	Sensor adapter for M30 sensors and 5/16" flexible metal conduit
	LOCKNUT M20 NICKEL BRASS	Nut, nickel-plated brass