

Control interface unit

IC-KP-R2-V1



- Max. 4 read/write heads connectable
- Alternative 2 read/write heads and 2 trigger sensors can be connected
- LC display with background lightning
- Direct operation via 4 keys
- LED status indicator of bus communication and read/write heads

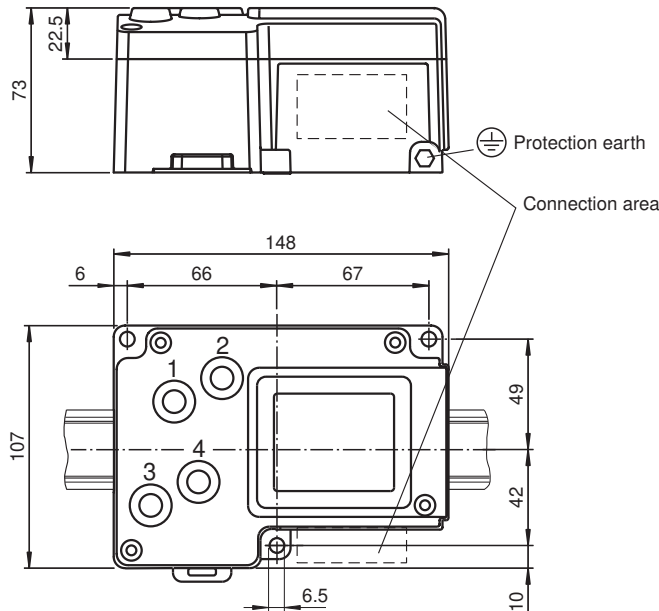
Control interface unit IDENTControl with serial interface RS-232



Function

The innovative concept of the RFID identification system IDENTControl from Pepperl+Fuchs has many advantages in comparison to other systems. The core piece of the system is the evaluation unit IDENTControl. Thanks to the integrated interfaces for all standard field bus systems such as PROFIBUS, EtherNet, PROFINET IO, DeviceNet, serial connections (RS 232/RS 485/RS 422) and numerous connection options for inductive write/read heads as well as microwave antennas, the evaluation unit IDENTControl can be adjusted to your needs in a flexible and easy manner. LEDs indicate operating power and bus communication, connected write/read heads and active write/read commands. Mounting the unit onto DIN mounting rails is easy thanks to the snap-fits on the back of the housing of the evaluation unit IDENTControl. With its L-shaped housing, the evaluation unit including bus connector fits into a 120 mm grid in the switch cabinet. The mounting depth of 70 mm furthermore enables installation in flat switch boxes with a depth of only 100 mm. There are 3 further mounting holes for field mounting.

Dimensions



Technical Data

General specifications

Release date: 2023-08-07 Date of issue: 2023-08-07 Filename: 126457_eng.pdf

Refer to "General Notes Relating to Pepperl+Fuchs Product Information".

Pepperl+Fuchs Group
www.pepperl-fuchs.com

USA: +1 330 486 0001
fa-info@us.pepperl-fuchs.com

Germany: +49 621 776 1111
fa-info@de.pepperl-fuchs.com

Singapore: +65 6779 9091
fa-info@sg.pepperl-fuchs.com

 PEPPERL+FUCHS

Technical Data

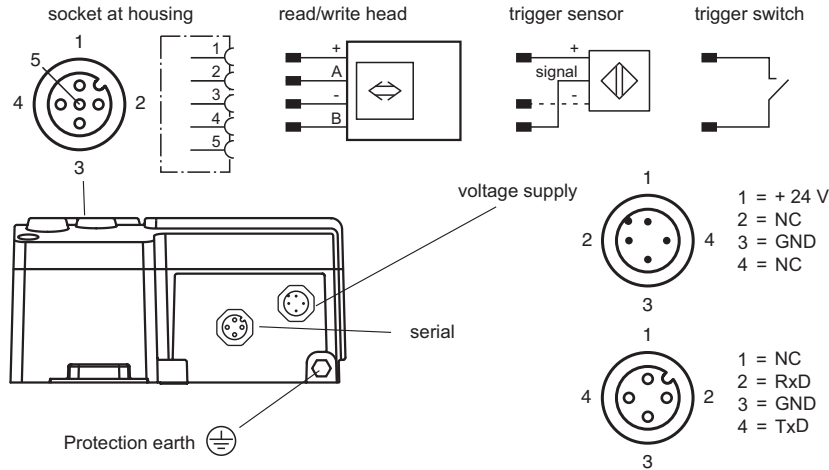
Number of read/write heads	max. 4 alternative 2 read/write heads and 2 trigger sensors	
UL File Number		E87056
MTBF	95 a (Operation at +40 °C)	
Indicators/operating means		
LEDs 1, 2, 3, 4	Status indicator for read/write heads green: command at read/write head active yellow: approx. 1 second long, if command was successfully executed	
LED PWR/ERR	green: power on red: Hardware fault	
LED UL	green: Interface Power ON/OK	
LED TxD	green: flashes in rhythm with the transmitted data	
LED RxD	green: flashes in rhythm of receiving data	
LC display	two-line multi-function display with 12 characters per line configuration of the control interface and display of connected read/write heads as additional pictograms; easy and direct selection of operating commands	
Button	4 keys: ESC, up, down and return	
Electrical specifications		
Rated operating voltage	U_e	20 ... 30 V DC , PELV
Ripple		≤ 10 % at 30 V DC
Current consumption		≤ 2 A incl. read/write heads
Power consumption	P_0	2.5 W Without read/write heads
Galvanic isolation	basic insulation acc. to DIN EN 50178, rated insulation voltage of 50 V _{eff}	
Interface		
Physical	RS 232	
Protocol	ASCII	
Transfer rate	1200; 2400; 4800; 9600; 19200; 38400 Bit/s	
Directive conformity		
Electromagnetic compatibility		
Directive 2014/30/EU	EN 61326-1	
RoHS		
Directive 2011/65/EU (RoHS)	IEC/EN 63000	
Standard conformity		
Degree of protection	IEC 60529	
Ambient conditions		
Ambient temperature	-25 ... 70 °C (-13 ... 158 °F)	
Storage temperature	-30 ... 80 °C (-22 ... 176 °F)	
Climatic conditions	air humidity max. 96 % Salt spray resistant to EN 60068-2-52	
Shock and impact resistance	Oscillation (Sine): 5 g, 10 - 1000 Hz to EN 60068-2-6 Shock (Half-sine): 30 g, 11 ms in accordance with EN 60068-2-27	
Mechanical specifications		
Housing length	148 mm	
Housing width	105 mm	
Housing height	73 mm	
Degree of protection	IP67	
Connection	Read/write heads: shielded, 4-pin, M12 connector Power supply: M12 connector Protective earth: M6 earthing screw RS 232: M12 plug connection	
Material		
Housing	powder coated aluminum	
Installation	snap-on to 35 mm standard rail or screw fixing	
Mass	approx. 1000 g	

Release date: 2023-08-07 Date of issue: 2023-08-07 Filename: 126457_eng.pdf

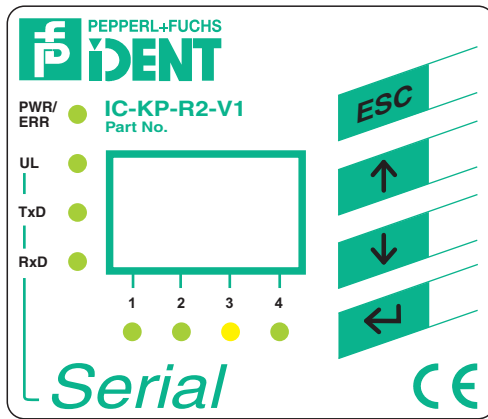
Refer to "General Notes Relating to Pepperl+Fuchs Product Information".

Pepperl+Fuchs Group
www.pepperl-fuchs.comUSA: +1 330 486 0001
fa-info@us.pepperl-fuchs.comGermany: +49 621 776 1111
fa-info@de.pepperl-fuchs.comSingapore: +65 6779 9091
fa-info@sg.pepperl-fuchs.com
 PEPPERL+FUCHS

Connection



Assembly



Accessories

	V1S-G-0,15M-PUR-ABG-SUBD	Adapter cable M12 plug straight A-coded 4-pin to Sub-D-plug straight 9-pin, PUR cable grey, shielded
	V1-G-2M-PUR-ABG-V1-W	Cordset M12 socket straight to M12 plug angled A-coded, 4-pin, PUR cable grey, shielded
	V1-G-10M-PUR-ABG-V1-W	Cordset M12 socket straight to M12 plug angled A-coded, 4-pin, PUR cable grey, shielded
	V1-G-5M-PUR	Female cordset single-ended M12 straight A-coded, 4-pin, PUR cable grey
	V1S-G-5M-PUR-ABG-SUBD9	Adapter cable M12 plug straight A-coded 4-pin to Sub-D-socket straight 9-pin, PUR cable grey, shielded
	V1-G-5M-PUR-ABG-V1-W	Cordset M12 socket straight to M12 plug angled A-coded, 4-pin, PUR cable grey, shielded
	V1-G-5M-PUR-ABG	Female cordset single-ended M12 straight A-coded, 4-pin, PUR cable grey, shielded

Release date: 2023-08-07 Date of issue: 2023-08-07 Filename: 126457_eng.pdf

Refer to "General Notes Relating to Pepperl+Fuchs Product Information".