



Blind plug  
ICZ-AIDA1-B

Blind plug for IC-KP-B17-AIDA1

## Technical Data

### Ambient conditions

Ambient temperature -40 ... 70 °C (-40 ... 158 °F)

### Mechanical specifications

Degree of protection IP65/IP67

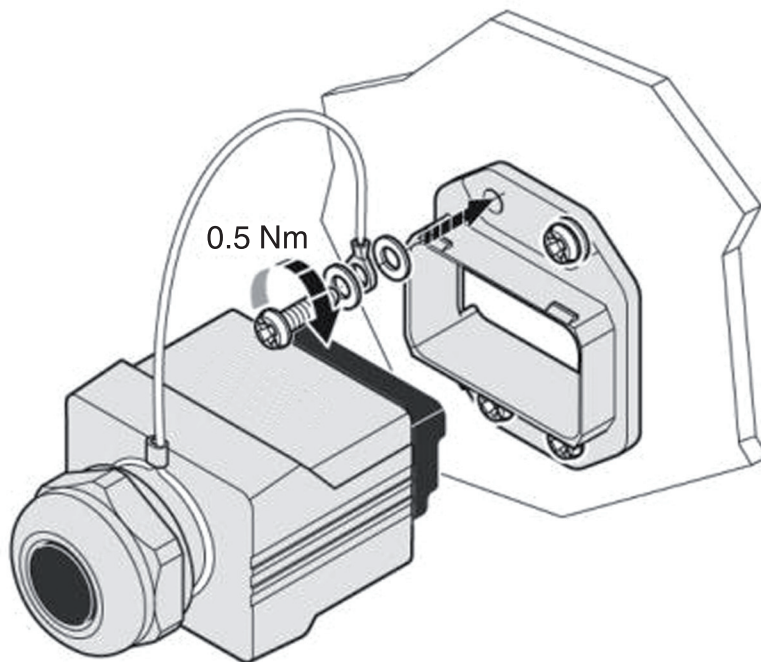
Material

Housing Zinc die-casting, nickel-plated

Mass

60 g

## Mounting



Release date: 2020-03-26 Date of issue: 2020-03-27 Filename: 217764\_eng.pdf

Refer to "General Notes Relating to Pepperl+Fuchs Product Information".

Pepperl+Fuchs Group  
www.pepperl-fuchs.com

USA: +1 330 486 0001  
fa-info@us.pepperl-fuchs.com

Germany: +49 621 776 1111  
fa-info@de.pepperl-fuchs.com

Singapore: +65 6779 9091  
fa-info@sg.pepperl-fuchs.com

**PF** PEPPERL+FUCHS