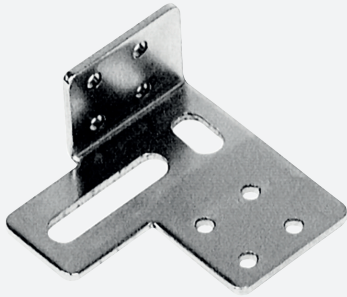


Mounting aid

OMH-ML6

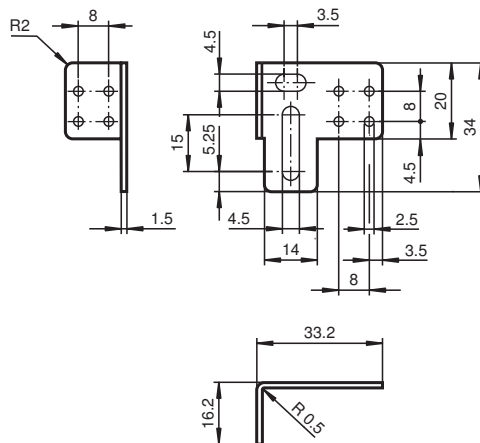


- Mounting bracket
- Simple and fast mounting

Mounting bracket



Dimensions



Technical Data

Mechanical specifications	
Material	nickel-plated steel
Mass	approx. 10 g
Suitable series	
Series	ML6 ML4.1 ML4.2

Release date: 2020-06-24 Date of issue: 2020-06-29 Filename: 127829_eng.pdf

Refer to "General Notes Relating to Pepperl+Fuchs Product Information".

Pepperl+Fuchs Group
www.pepperl-fuchs.com

USA: +1 330 486 0001
fa-info@us.pepperl-fuchs.com

Germany: +49 621 776 1111
fa-info@de.pepperl-fuchs.com

Singapore: +65 6779 9091
fa-info@sg.pepperl-fuchs.com

PEPPERL+FUCHS