

# Gateway

## OHV-F230-B17

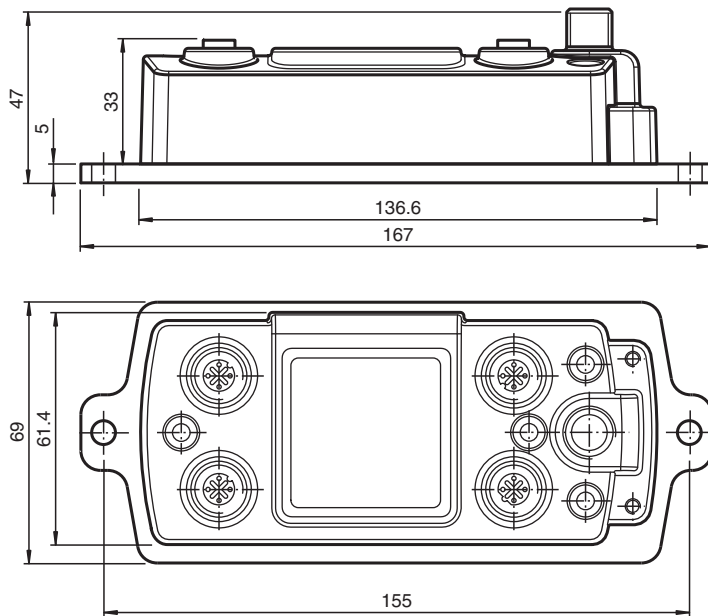


- PROFINET interface with integrated switch
- LED status indicator of power on, communication monitoring, inputs and outputs

PROFINET Gateway for OHV handheld



### Dimensions



### Technical Data

#### Functional safety related parameters

MTTF <sub>d</sub>	110 a
Mission Time (T <sub>M</sub> )	20 a
Diagnostic Coverage (DC)	0 %

#### Indicators/operating means

LED green	LINK 1/LINK2: Port 1/2 connected
LED yellow	ACTIVITY 1/ACTIVITY 2: data at port 1/2
LED red	BUS ERR: Communication error
LED red/green	PWR/ERR: green: on; red: system error

#### Electrical specifications

Release date: 2023-06-29 Date of issue: 2023-06-29 Filename: 289804-100000\_eng.pdf

Refer to "General Notes Relating to Pepperl+Fuchs Product Information".

Pepperl+Fuchs Group  
www.pepperl-fuchs.com

USA: +1 330 486 0001  
fa-info@us.pepperl-fuchs.com

Germany: +49 621 776 1111  
fa-info@de.pepperl-fuchs.com

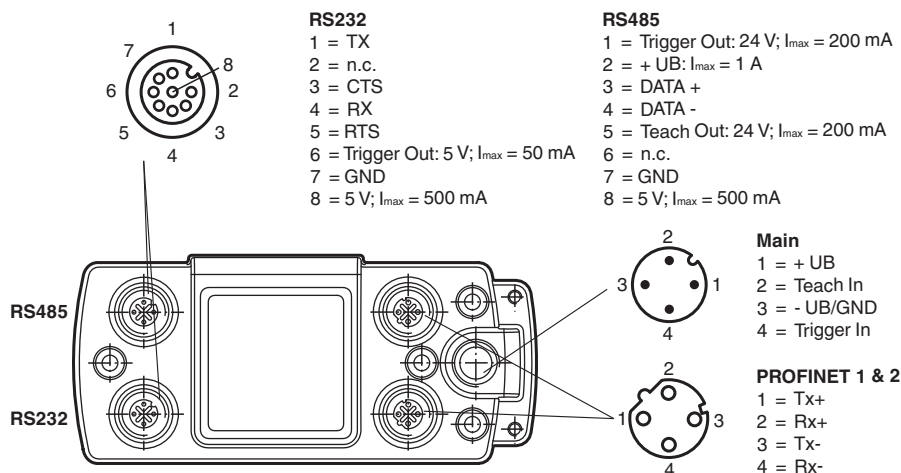
Singapore: +65 6779 9091  
fa-info@sg.pepperl-fuchs.com

**PF** PEPPERL+FUCHS

**Technical Data**

Operating voltage	$U_B$	10 ... 30 V DC PELV
Ripple		≤ 10 % at 30 V DC
Current consumption		≤ 1.1 A Inc. readers
Power consumption	$P_0$	2.5 W Without readers
<b>Interface 1</b>		
Interface type		RS-232, EIA/TIA-232E
Transfer rate		115k, 8N1
<b>Interface 2</b>		
Interface type		RS485 , No function
<b>Interface 3</b>		
Interface type		2 x PROFINET IO with int. switch
Protocol		Conformance Class B Realtime class RT Min. cycle time 1 ms
Transfer rate		10/100 Mbps
<b>Ambient conditions</b>		
Ambient temperature		-25 ... 60 °C (-13 ... 140 °F) , noncondensing
Storage temperature		-40 ... 85 °C (-40 ... 185 °F)
<b>Mechanical specifications</b>		
Degree of protection		IP65
Connection		RS232/RS485: 2 x M12 connector, 8-pin, A-coded Power supply: M12 connector Protective earth: M4 earthing screw Ethernet: M12 connection, 4-pin, D-coded
<b>Material</b>		
Housing		powder coated aluminum
Installation		screw fixing : 6 mm
Mass		approx. 400 g

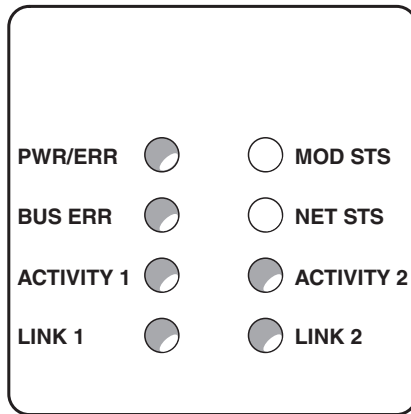
**Connection**




Release date: 2023-06-29 Date of issue: 2023-06-29 Filename: 289804-100000\_eng.pdf

Refer to "General Notes Relating to Pepperl+Fuchs Product Information".

## Assembly



## Accessories

	<b>V19S-G-1,7/3M-PVC-V50</b>	Adapter cable, M12 8-pin to RS 232
---	------------------------------	------------------------------------

Release date: 2023-06-29 Date of issue: 2023-06-29 Filename: 289804-100000\_eng.pdf