



RFID Transponder

IPC02-30P

- Battery-free code carrier
- 40 bit fix code
- Readable from both sides
- Mounting holes for simple installation
- Degree of protection IP68

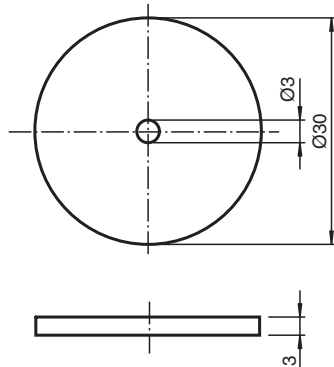
Code carrier



Application

The transponder can be read from either side.

Dimensions



Technical Data

General specifications

Operating frequency	125 kHz
Transfer rate	2 kBit/s

Memory

Chip Type	EM4102 Unique (EM Microelectronic)
Read cycles	unlimited
Data retention period	> 10 years

Directive conformity

Radio equipment	
Directive 2014/53/EU	EN 300330
RoHS	
Directive 2011/65/EU (RoHS)	IEC/EN 63000

Standard conformity

Degree of protection	EN 60529
----------------------	----------

Release date: 2022-12-15 Date of issue: 2022-12-15 Filename: 192202_eng.pdf

Refer to "General Notes Relating to Pepperl+Fuchs Product Information".

Pepperl+Fuchs Group
www.pepperl-fuchs.com

USA: +1 330 486 0001
fa-info@us.pepperl-fuchs.com

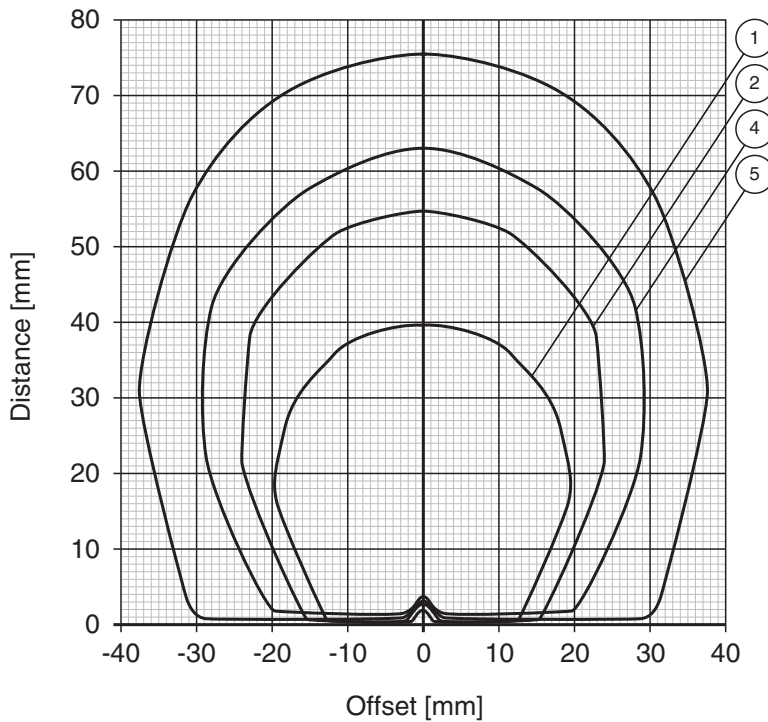
Germany: +49 621 776 1111
fa-info@de.pepperl-fuchs.com

Singapore: +65 6779 9091
fa-info@sg.pepperl-fuchs.com

Technical Data

RFID	ISO/IEC 18000-2
Ambient conditions	
Ambient temperature	-20 ... 100 °C (-4 ... 212 °F)
Storage temperature	-20 ... 100 °C (-4 ... 212 °F)
Mechanical specifications	
Housing height	3 mm
Housing diameter	30 mm
Degree of protection	IP68
Material	
Housing	PC (Polycarbonate)
Installation	
In air	yes
Construction type	Cylindrical

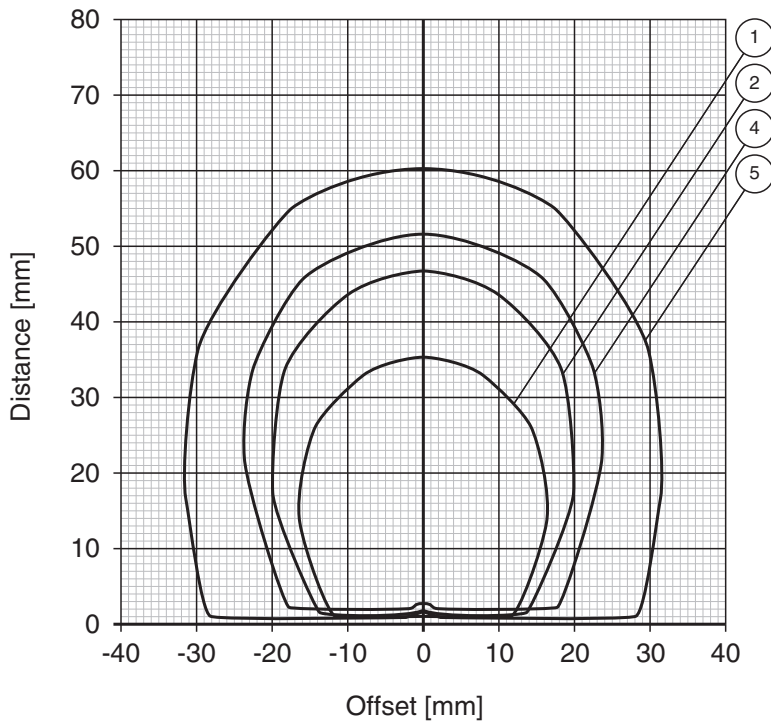
Reading range in air IPC02-30..



Release date: 2022-12-15 Date of issue: 2022-12-15 Filename: 192202_eng.pdf

Refer to "General Notes Relating to Pepperl+Fuchs Product Information".

Reading range on aluminium IPC02-30..



Release date: 2022-12-15 Date of issue: 2022-12-15 Filename: 192202_eng.pdf

Refer to "General Notes Relating to Pepperl+Fuchs Product Information".

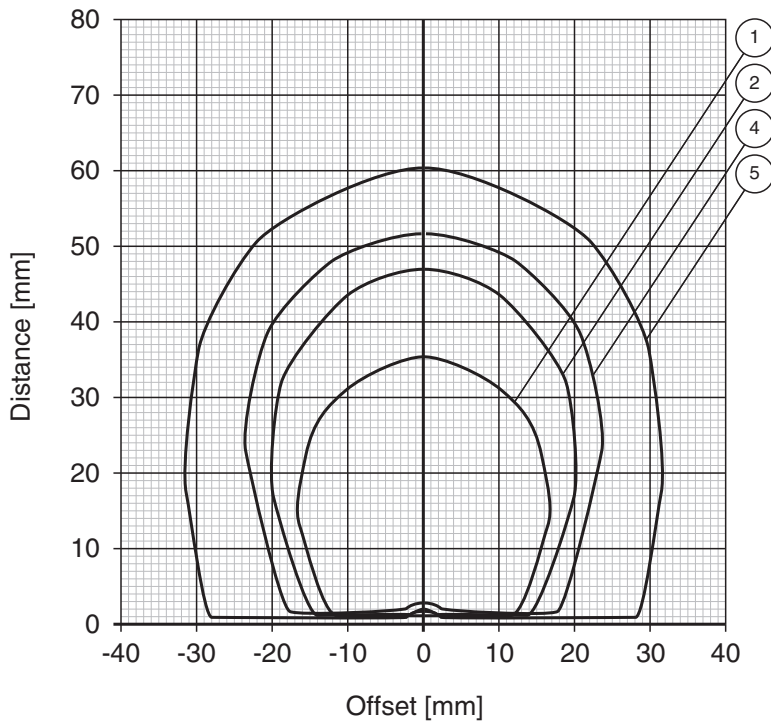
Pepperl+Fuchs Group
www.pepperl-fuchs.com

USA: +1 330 486 0001
fa-info@us.pepperl-fuchs.com

Germany: +49 621 776 1111
fa-info@de.pepperl-fuchs.com

Singapore: +65 6779 9091
fa-info@sg.pepperl-fuchs.com

Reading range on steel IPC02-30..



- ① IPH-18GM-V1
- ③ IPH-F61
- ⑤ IPH-FP-V1
- ⑦ IPT1-FP-V1
- ② IPH-30GM-V1
- ④ IPH-L2-V1
- ⑥ IPH-F15-V1

Release date: 2022-12-15 Date of issue: 2022-12-15 Filename: 192202_eng.pdf