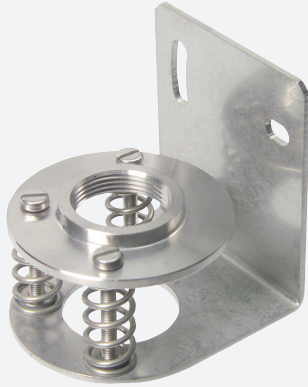


Mounting aid OMH-VL18

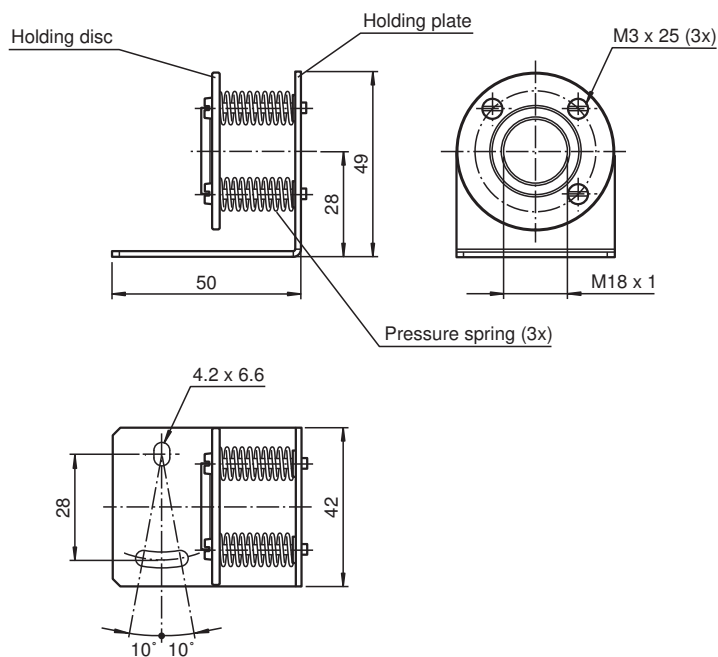
- Simple and fast mounting



Mounting Bracket with swivel nut



Dimensions



Technical Data

General specifications

Inside diameter 18 mm

Mechanical specifications

Material Metal /high-grade steel

Mass approx. 70 g

Dimensions 42 mm x 49 mm x 30 mm

Suitable series

Series VL18

Release date: 2020-03-23 Date of issue: 2020-06-29 Filename: 125716_eng.pdf

Refer to "General Notes Relating to Pepperl+Fuchs Product Information".

Pepperl+Fuchs Group
www.pepperl-fuchs.com

USA: +1 330 486 0001
fa-info@us.pepperl-fuchs.com

Germany: +49 621 776 1111
fa-info@de.pepperl-fuchs.com

Singapore: +65 6779 9091
fa-info@sg.pepperl-fuchs.com

PF PEPPERL+FUCHS