



# Serial Device Server

## ICDM-RX/TCP-ST/RJ45-DIN

- Web-based configuration
- DIN-rail mounting and screw terminal connections
- RS-232/422/485 software selectable interfaces
- NEMA TS2 Certified
- TCP/IP & UDP Socket Services
- Device drivers (Windows and Linux)

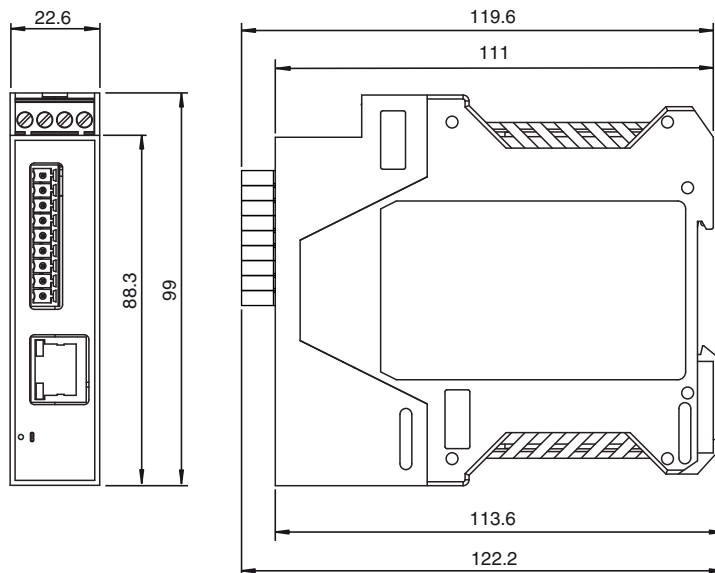
### Serial Device Server 1-port DIN Rail Screw Terminal



### Function

The ICDM-RX/TCP product family enables the connection of serial devices (RS-232 / RS-422 / RS-485) using a device driver (Windows or Linux) or Ethernet TCP/IP devices using socket services to an industrial Ethernet network. The integrated webserver enables complete configuration of all module parameters like serial interface, baud rate, parity, data bits, stop bits, or flow control. Products are available in different versions for DB9 or screw terminal connection.

### Dimensions



### Technical Data

#### General specifications

UL File Number E360395

#### Functional safety related parameters

MTBF 61.4 a

#### Indicators/operating means

Release date: 2023-04-17 Date of issue: 2023-04-17 Filename: 70104868\_eng.pdf

Refer to "General Notes Relating to Pepperl+Fuchs Product Information".

Pepperl+Fuchs Group  
www.pepperl-fuchs.com

USA: +1 330 486 0001  
fa-info@us.pepperl-fuchs.com

Germany: +49 621 776 1111  
fa-info@de.pepperl-fuchs.com

Singapore: +65 6779 9091  
fa-info@sg.pepperl-fuchs.com

**PF** PEPPERL+FUCHS

## Technical Data

LED indication	see manual	
<b>Electrical specifications</b>		
Rated operating voltage	U <sub>e</sub>	5 ... 30 V DC
General information		Redundant power
Nominal voltage		24 V DC
<b>Interface</b>		
Interface type	Software selectable interfaces: RS-232 , RS-422 , RS-485 (2 and 4-wire)	
Physical		1 x screw terminal
Protocol		Raw serial
Supported baud rates		300 bps to 230Kbps
<b>Interface 1</b>		
Interface type		Industrial Ethernet
Physical		1 x RJ45
Protocol		TCP/IP
Additional protocols	ARP, BOOTP, DHCP/RARP, HTTP, HTTPS, SSH, SSL/TLS, ICMP, RFC 1006 (ISO over TCP), SNMP (MIB-II), TCP/IP & UDP socket services, Telnet, and TFTP, and supports IP multicast data transmission	
Transfer rate		10/100 Mbps
<b>Directive conformity</b>		
Electromagnetic compatibility		
Directive 2014/30/EU		EN 61000-6-2:2005 , EN 610006-4:2007 , EN 610006-4/A1:2011
RoHS		EN IEC 63000:2018
<b>Standard conformity</b>		
Degree of protection		NEMA TS2
Electrical safety		CSA C22.2 No. 61010-1-12 / CSA C22.2 No. 61010-1-201 UL 61010-1 / UL 61010-1-201
Emitted interference		EN 61000-6-4, EN 55032, FCC Part 15 Subpart B, ICES-003, AS/NZS CISPR 32
Noise immunity		EN 61000-6-2
<b>Ambient conditions</b>		
Ambient temperature		-40 ... 75 °C (-40 ... 167 °F)
Storage temperature		-40 ... 85 °C (-40 ... 185 °F)
Relative humidity		max. 95 %
Altitude		0 ... 3048 m
<b>Mechanical specifications</b>		
Housing length		119.3 mm
Housing width		22.9 mm
Housing height		99.1 mm
Degree of protection		IP20
Connection		Power Supply: screw terminals Fieldbus: 1 x RJ45 Inputs/outputs: 9-pin screw terminal block
<b>Material</b>		
Housing		Polyamide, UL94V-0
Mass		113.4g
Construction type		Cabinet module
Mounting		DIN mounting rail

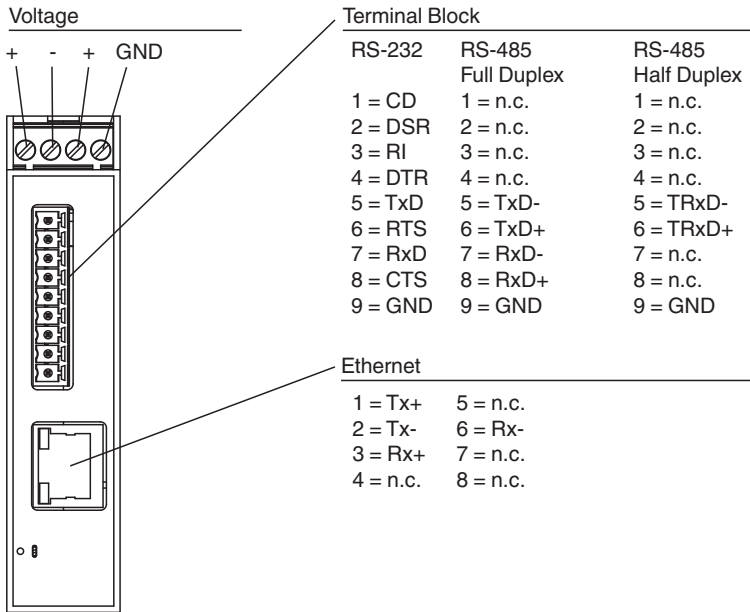
Release date: 2023-04-17 Date of issue: 2023-04-17 Filename: 70104868\_eng.pdf

Refer to "General Notes Relating to Pepperl+Fuchs Product Information".

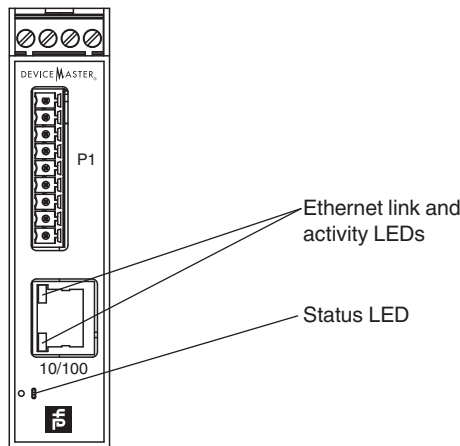
Pepperl+Fuchs Group  
www.pepperl-fuchs.comUSA: +1 330 486 0001  
fa-info@us.pepperl-fuchs.comGermany: +49 621 776 1111  
fa-info@de.pepperl-fuchs.comSingapore: +65 6779 9091  
fa-info@sg.pepperl-fuchs.com

**PEPPERL+FUCHS**

Connection



Assembly



Accessories

	<b>V45-G-C5-GN1M-PUR-E1S</b>	Ethernet bus cable male cordset single-ended RJ45, 4-pin, PUR cable green, Cat5e, shielded, UL approved, drag chain suitable
	<b>V45-G-C5-GN3M-PUR-E1S</b>	Ethernet bus cable male cordset single-ended RJ45, 4-pin, PUR cable green, Cat5e, shielded, UL approved, drag chain suitable
	<b>V45-G-C5-GN10M-PUR-E1S</b>	Ethernet bus cable male cordset single-ended RJ45, 4-pin, PUR cable green, Cat5e, shielded, UL approved, drag chain suitable
	<b>V45-G-C5-GN1M-PUR-E1S-V45-G</b>	Ethernet bus cable RJ45 to RJ45 PROFINET-coded, 4-pin, PUR cable green, Cat5e, shielded, UL approved, drag chain suitable
	<b>V45-G-C5-GN3M-PUR-E1S-V45-G</b>	Ethernet bus cable RJ45 to RJ45 PROFINET-coded, 4-pin, PUR cable green, Cat5e, shielded, UL approved, drag chain suitable
	<b>V45-G-C5-GN10M-PUR-E1S-V45-G</b>	Ethernet bus cable RJ45 to RJ45 PROFINET-coded, 4-pin, PUR cable green, Cat5e, shielded, UL approved, drag chain suitable

Release date: 2023-04-17 Date of issue: 2023-04-17 Filename: 70104868\_eng.pdf

**Accessories**

	<b>V45-G-C5-GN20M-PUR-E1S-V45-G</b>	Ethernet bus cable RJ45 to RJ45 PROFINET-coded, 4-pin, PUR cable green, Cat5e, shielded, UL approved, drag chain suitable
---	-------------------------------------	---

Release date: 2023-04-17 Date of issue: 2023-04-17 Filename: 70104868\_eng.pdf

Refer to "General Notes Relating to Pepperl+Fuchs Product Information".

Pepperl+Fuchs Group  
www.pepperl-fuchs.com

USA: +1 330 486 0001  
fa-info@us.pepperl-fuchs.com

Germany: +49 621 776 1111  
fa-info@de.pepperl-fuchs.com

Singapore: +65 6779 9091  
fa-info@sg.pepperl-fuchs.com