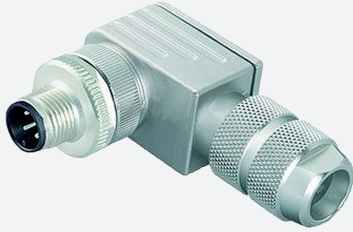


# Male connector, field-attachable

## V1SD-W-ABG-PG9

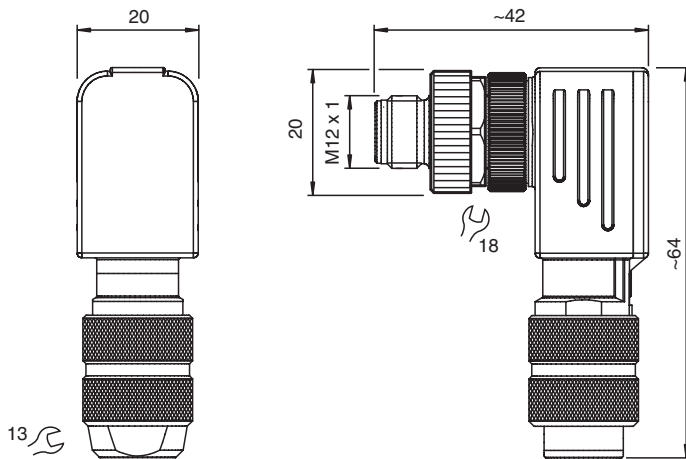


- D coding for Ethernet
- Conforms to PROFINET
- Field-attachable, shieldable
- Metal housing
- Iris spring shielding
- cURus approval

Male connector M12 angled D-coded 4-pin, for cable diameter 5 - 8 mm, shielded, field-attachable



### Dimensions



### Technical Data

General specifications			
Connector 1			
Connection		plug	
Construction type		M12	
Style		angled	
Locking		screw connection	
Number of pins		4	
Coding		D-coded	
Customization		Coding rotateable in steps of 90°	
UL File Number		E363587	
Electrical specifications			
Operating voltage	U <sub>B</sub>	max. 250 V AC/DC	
Operating current	I <sub>B</sub>	4 A	
Insulation resistance		min. 10000 MΩ	
Conformity			
Degree of protection		EN 60529	
Plug connection		connector M12 x 1 : IEC 61076-2-101	

Release date: 2023-08-18 Date of issue: 2023-08-18 Filename: 211368\_eng.pdf

Refer to "General Notes Relating to Pepperl+Fuchs Product Information".

Pepperl+Fuchs Group  
www.pepperl-fuchs.com

USA: +1 330 486 0001  
fa-info@us.pepperl-fuchs.com

Germany: +49 621 776 1111  
fa-info@de.pepperl-fuchs.com

Singapore: +65 6779 9091  
fa-info@sg.pepperl-fuchs.com

**PF** PEPPERL+FUCHS

## Technical Data

Component category	CAT5 (IEC 11801)	
<b>Ambient conditions</b>		
Ambient temperature	-40 ... 85 °C (-40 ... 185 °F)	
Pollution degree	3	
<b>Mechanical specifications</b>		
Plug connector		
Tightening torque	0.6 Nm	
Tool installation	straight knurling , hexagon nut SW = 18 mm	
Mating cycles	min. 100	
Shielding	iris spring shielding	
Degree of protection	IP67	
Connection	screw terminals for max. 0.75 mm <sup>2</sup> / AWG 18	
Cable		
Sheath diameter	5 ... 8 mm	
Mass	67.04 g	
<b>Material</b>		
Plug connector		
Screw connection	Zinc diecast, nickel-plated	
Body	Zinc diecast, nickel-plated	
Contact surface	Au	

## Connection Assignment

