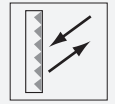




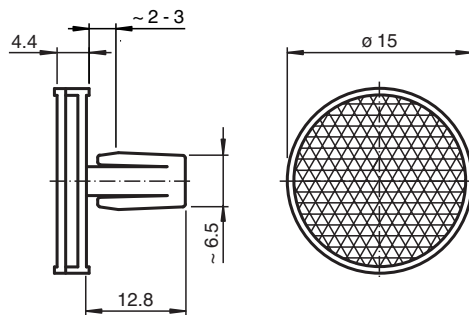
## Reflector with micro-structure REF-MCLIP15HT



- Simple installation with snap-in fastener
- Micro-structure
- With extended temperature range up to 110 °C (230 °F)

Reflector with Micro-structure, round  $\varnothing$  15 mm, snap-in, high temperature applications

### Dimensions



### Technical Data

General specifications	
Construction type	circular
Tripel height	approx. 0.8 mm
Ambient conditions	
Ambient temperature	-20 ... 110 °C (-4 ... 230 °F)
Mechanical specifications	
Material	PC
Dimensions	Diameter: 15 mm
Mounting	Snap-in

Release date: 2020-03-23 Date of issue: 2020-06-29 Filename: 113963\_eng.pdf

Refer to "General Notes Relating to Pepperl+Fuchs Product Information".

Pepperl+Fuchs Group  
www.pepperl-fuchs.com

USA: +1 330 486 0001  
fa-info@us.pepperl-fuchs.com

Germany: +49 621 776 1111  
fa-info@de.pepperl-fuchs.com

Singapore: +65 6779 9091  
fa-info@sg.pepperl-fuchs.com

**PF** PEPPERL+FUCHS