

Male connector, field-attachable

V15S-G-PG7

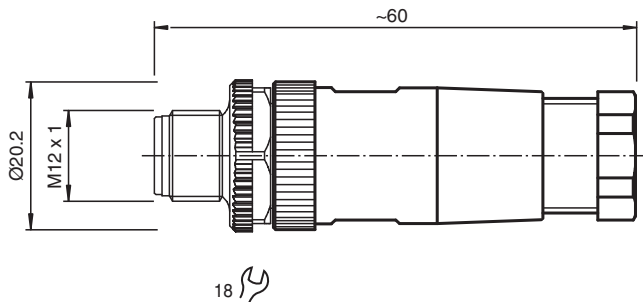


- Screw terminal connection
- Metal locking
- Knurled nut suitable for tool assembly

Male connector M12 straight A-coded 5-pin, for cable diameter 4 - 6 mm, field-attachable



Dimensions



Technical Data

General specifications			
Connector 1			
Connection			plug
Construction type			M12
Style			straight
Locking			screw connection
Number of pins			5
Coding			A-coded
Electrical specifications			
Operating voltage	U_B		max. 48 V AC / 60 V DC
Operating current	I_B		max. 4 A
Insulation resistance			min. 100 M Ω
Conformity			
Degree of protection			EN 60529
Plug connection			connector M12 x 1 : IEC 61076-2-101
Ambient conditions			
Ambient temperature			-40 ... 85 °C (-40 ... 185 °F)

Release date: 2023-05-04 Date of issue: 2023-05-04 Filename: 116920_eng.pdf

Refer to "General Notes Relating to Pepperl+Fuchs Product Information".

Pepperl+Fuchs Group
www.pepperl-fuchs.com

USA: +1 330 486 0001
fa-info@us.pepperl-fuchs.com

Germany: +49 621 776 1111
fa-info@de.pepperl-fuchs.com

Singapore: +65 6779 9091
fa-info@sg.pepperl-fuchs.com

PEPPERL+FUCHS

Technical Data

Pollution degree	3
Mechanical specifications	
Plug connector	
Tightening torque	0.6 Nm
Tool installation	straight knurling , hexagon nut SW = 18 mm
Mating cycles	min. 50
Degree of protection	IP67
Connection	screw terminals for max. 0.75 mm ² / AWG 18
Cable	
Sheath diameter	4 ... 6 mm
Mass	22.94 g
Material	
Plug connector	
Screw connection	Zinc diecast, nickel-plated
Body	PA, black
Contact surface	CuSnZn

Connection Assignment

