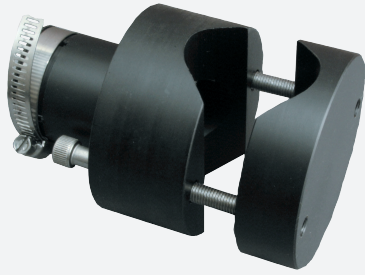


Mounting aid

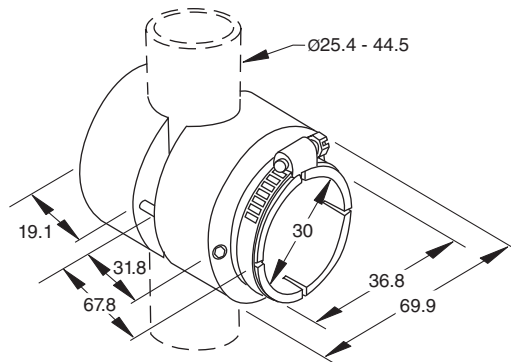
SG30



- Sight glass mount
- For use with 30 mm diameter sensors

Mounting aid

Dimensions



Technical Data

Mechanical specifications

Material	Housing: plastic Fasteners: stainless steel
----------	--

Release date: 2020-06-30 Date of issue: 2020-06-30 Filename: 904112_eng.pdf

Refer to "General Notes Relating to Pepperl+Fuchs Product Information".

Pepperl+Fuchs Group
www.pepperl-fuchs.com

USA: +1 330 486 0001
fa-info@us.pepperl-fuchs.com

Germany: +49 621 776 1111
fa-info@de.pepperl-fuchs.com

Singapore: +65 6779 9091
fa-info@sg.pepperl-fuchs.com

PF PEPPERL+FUCHS

Function

Allows for easy sensor adjustment without disturbing the fluid inside the tank.

Release date: 2020-06-30 Date of issue: 2020-06-30 Filename: 904112_eng.pdf

Refer to "General Notes Relating to Pepperl+Fuchs Product Information".

Pepperl+Fuchs Group
www.pepperl-fuchs.com

USA: +1 330 486 0001
fa-info@us.pepperl-fuchs.com

Germany: +49 621 776 1111
fa-info@de.pepperl-fuchs.com

Singapore: +65 6779 9091
fa-info@sg.pepperl-fuchs.com

 **PEPPERL+FUCHS**