

# Mounting aid OMH-WTS10-01

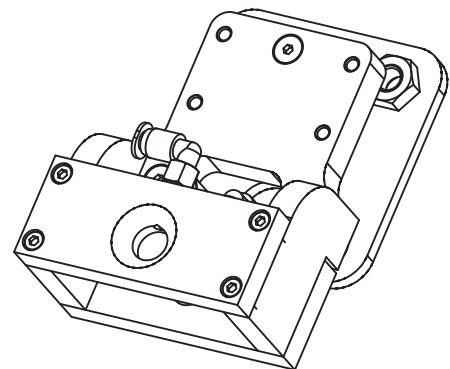
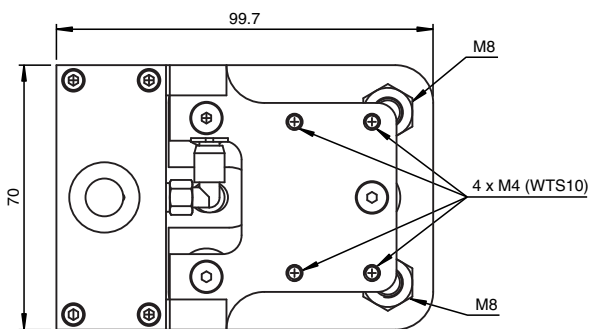
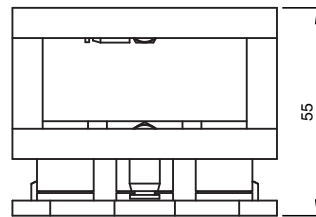
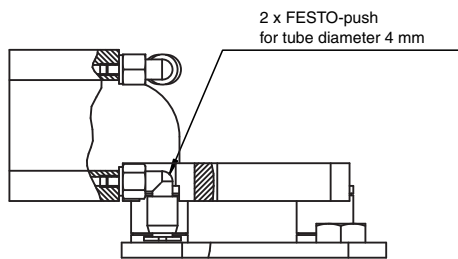


- Mounting bracket
- Simple and fast mounting

Mounting bracket for sensors of WTS10 series



## Dimensions



## Technical Data

### General specifications

Accessories provided

Incl. 2 x compressed air connection for 4 mm hose diameter  
Incl. 4 x fixing screws M4 x 25 for sensor WTS10

### Mechanical specifications

Mech. capacity

Max. tong pressure of 5KN

Release date: 2020-03-23 Date of issue: 2020-06-29 Filename: 207574\_eng.pdf

Refer to "General Notes Relating to Pepperl+Fuchs Product Information".

Pepperl+Fuchs Group  
www.pepperl-fuchs.com

USA: +1 330 486 0001  
fa-info@us.pepperl-fuchs.com

Germany: +49 621 776 1111  
fa-info@de.pepperl-fuchs.com

Singapore: +65 6779 9091  
fa-info@sg.pepperl-fuchs.com

**PF** PEPPERL+FUCHS

**Technical Data**

Material	Aluminum / steel
Mass	523 g
<b>Suitable series</b>	
Series	WTS10

Release date: 2020-03-23 Date of issue: 2020-06-29 Filename: 207574\_eng.pdf

Refer to "General Notes Relating to Pepperl+Fuchs Product Information".

Pepperl+Fuchs Group  
www.pepperl-fuchs.comUSA: +1 330 486 0001  
fa-info@us.pepperl-fuchs.comGermany: +49 621 776 1111  
fa-info@de.pepperl-fuchs.comSingapore: +65 6779 9091  
fa-info@sg.pepperl-fuchs.com **PEPPERL+FUCHS**