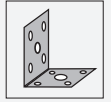




Mounting aid OMH-LGS-01

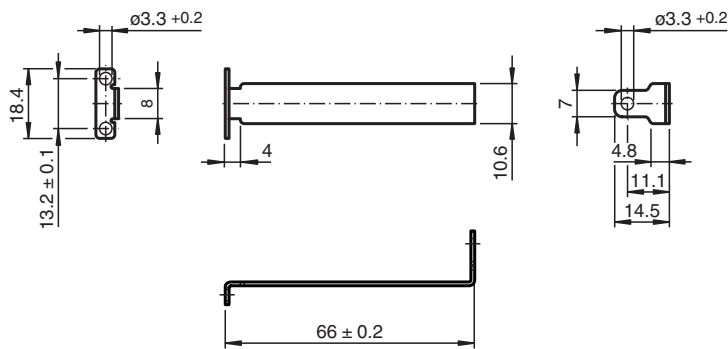
- Mounting bracket
- Simple and fast mounting



Attachment aid for light grid series LGS/LGM



Dimensions



Technical Data

Mechanical specifications	
Material	Stainless steel
Mass	approx. 12 g
Mounting	Mounting accessories included
Suitable series	
Safety Series	LGS

Release date: 2020-03-24 Date of issue: 2020-06-30 Filename: 239518_eng.pdf

Refer to "General Notes Relating to Pepperl+Fuchs Product Information".

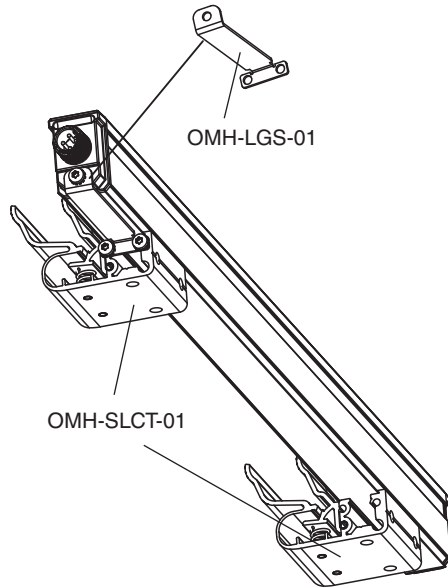
Pepperl+Fuchs Group
www.pepperl-fuchs.com

USA: +1 330 486 0001
fa-info@us.pepperl-fuchs.com

Germany: +49 621 776 1111
fa-info@de.pepperl-fuchs.com

Singapore: +65 6779 9091
fa-info@sg.pepperl-fuchs.com

PF PEPPERL+FUCHS



Accessories

	<p>OMH-SLCT-01</p>	<p>Quick clamp and adjustment system</p>
--	---------------------------	--