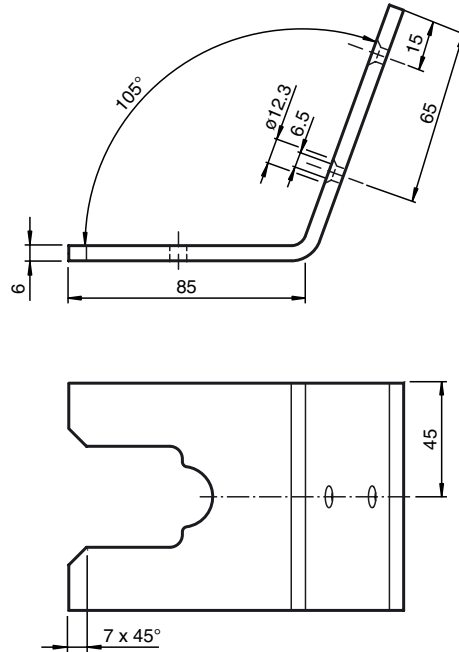


**Model Number****OHV-BRACKET-W**

Fixture for OHV1000/OHV100

**Features**

- Mounting bracket
- Simple and fast mounting

**Dimensions****Technical data****Mechanical specifications**

Material	Clear Plexiglas
Mass	approx. 110 g