

Female connector, field-attachable

V15B-G-ABG-PG9

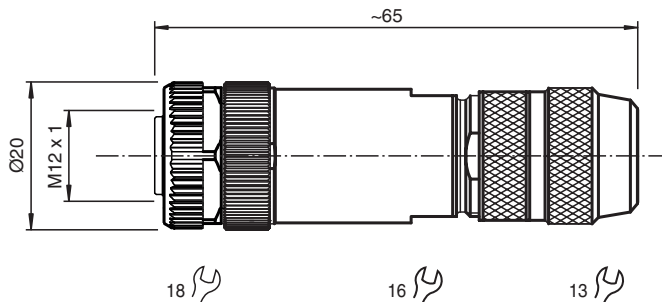


- B-coding for PROFIBUS
- Field-attachable, shieldable
- Metal housing
- Iris spring shielding
- cURus approval

Female connector M12 straight B-coded 5-pin, for cable diameter 5 - 8 mm, shielded, field-attachable



Dimensions



Technical Data

General specifications			
Connector 1			
Connection		socket	
Construction type		M12	
Style		straight	
Locking		screw connection	
Number of pins		5	
Coding		B-coded	
UL File Number		E363587	
Electrical specifications			
Operating voltage	U_B	max. 48 V AC / 60 V DC	
Operating current	I_B	max. 4 A	
Insulation resistance		min. 10000 M Ω	
Conformity			
Degree of protection		EN 60529	
Plug connection		connector M12 x 1 : IEC 61076-2-101	
Ambient conditions			

Release date: 2023-02-20 Date of issue: 2023-02-20 Filename: 208870_eng.pdf

Refer to "General Notes Relating to Pepperl+Fuchs Product Information".

Pepperl+Fuchs Group
www.pepperl-fuchs.com

USA: +1 330 486 0001
fa-info@us.pepperl-fuchs.com

Germany: +49 621 776 1111
fa-info@de.pepperl-fuchs.com

Singapore: +65 6779 9091
fa-info@sg.pepperl-fuchs.com

PEPPERL+FUCHS

Technical Data

Ambient temperature	-40 ... 85 °C (-40 ... 185 °F)	
Pollution degree		3
Mechanical specifications		
Plug connector		
Tightening torque	0.6 Nm	
Tool installation	straight knurling , hexagon nut SW = 18 mm	
Mating cycles	min. 50	
Shielding	iris spring shielding	
Degree of protection	IP67	
Connection	screw terminals for max. 0.75 mm ² / AWG 18	
Cable		
Sheath diameter	5 ... 8 mm	
Mass	49.62 g	
Material		
Plug connector		
Screw connection	Zinc diecast, nickel-plated	
Body	Zinc diecast, nickel-plated	
Contact surface	Au	

Connection Assignment

