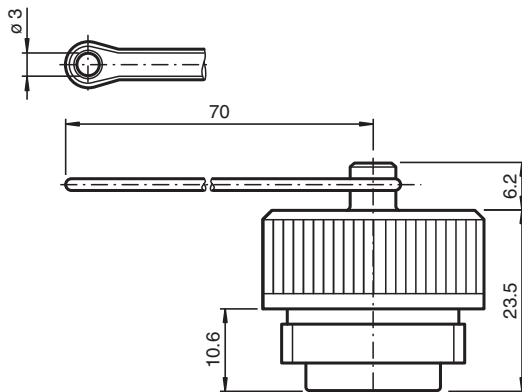


Blind plug V16-B



Stopping plug for V16 sockets

Dimensions



Technical Data

Mechanical specifications

Connection	Rd 24 x 1/8 inch
------------	------------------

Release date: 2020-03-24 Date of issue: 2020-06-29 Filename: 107611_eng.pdf

Refer to "General Notes Relating to Pepperl+Fuchs Product Information".

Pepperl+Fuchs Group
www.pepperl-fuchs.com

USA: +1 330 486 0001
fa-info@us.pepperl-fuchs.com

Germany: +49 621 776 1111
fa-info@de.pepperl-fuchs.com

Singapore: +65 6779 9091
fa-info@sg.pepperl-fuchs.com

 PEPPERL+FUCHS