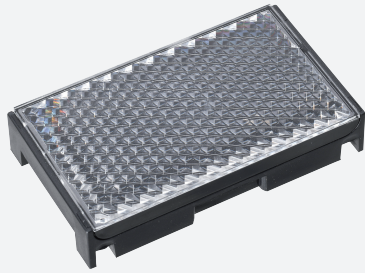


Reflector

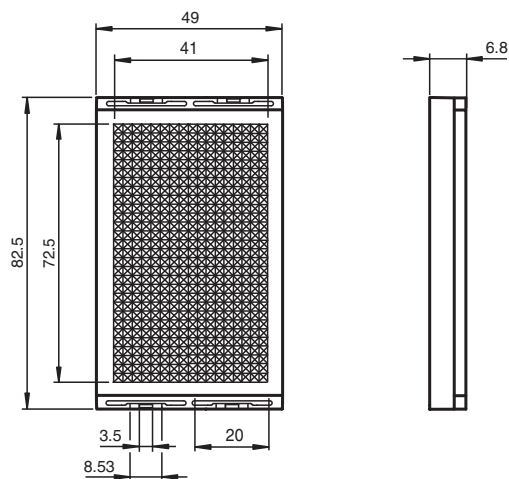
REF-H88x50



- Rectangular design

Reflector

Dimensions



Technical Data

General specifications	
Construction type	rectangular
Ambient conditions	
Ambient temperature	-20 ... 60 °C (-4 ... 140 °F)
Mechanical specifications	
Material	PMMA/ABS
Dimensions	87.3 mm x 50 mm x 15.5 mm
Mounting	Mounting bracket for wall mounting included in the scope of delivery

Release date: 2020-03-24 Date of issue: 2020-06-30 Filename: 302281_eng.pdf

Refer to "General Notes Relating to Pepperl+Fuchs Product Information".

Pepperl+Fuchs Group
www.pepperl-fuchs.com

USA: +1 330 486 0001
fa-info@us.pepperl-fuchs.com

Germany: +49 621 776 1111
fa-info@de.pepperl-fuchs.com

Singapore: +65 6779 9091
fa-info@sg.pepperl-fuchs.com

PF PEPPERL+FUCHS