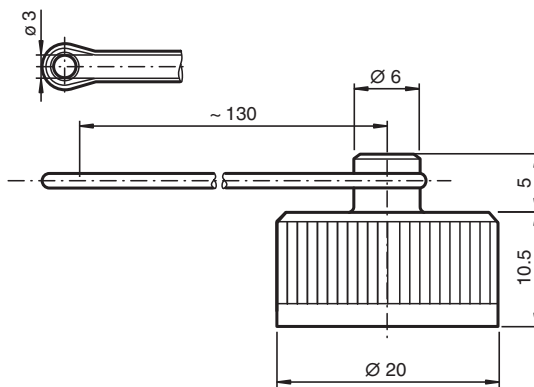


## Blind plug V16S-B



Stopping plug for V16 plug

### Dimensions



### Technical Data

#### Mechanical specifications

Connection	M16 x 1.5
------------	-----------

Release date: 2020-03-24 Date of issue: 2020-06-29 Filename: 107614\_eng.pdf

Refer to "General Notes Relating to Pepperl+Fuchs Product Information".

Pepperl+Fuchs Group  
www.pepperl-fuchs.com

USA: +1 330 486 0001  
fa-info@us.pepperl-fuchs.com

Germany: +49 621 776 1111  
fa-info@de.pepperl-fuchs.com

Singapore: +65 6779 9091  
fa-info@sg.pepperl-fuchs.com

 PEPPERL+FUCHS