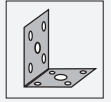




Mounting aid OMH-VDM28-02

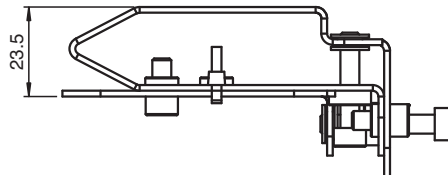
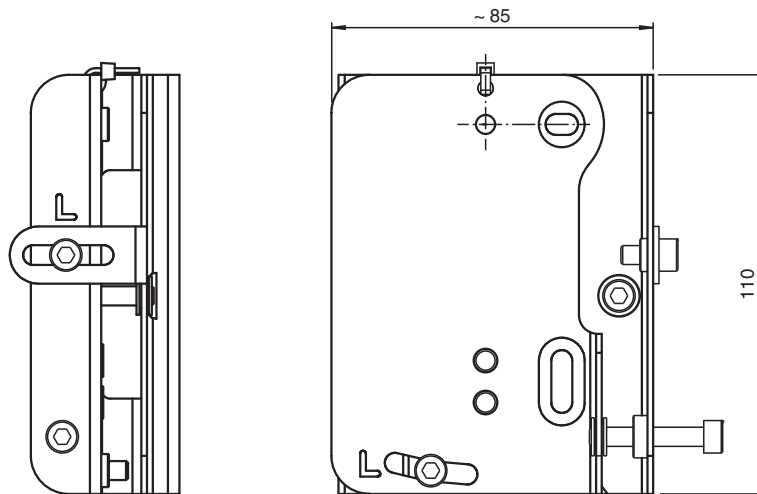
- Simple and fast mounting



Mounting and fine adjustment device for sensors from the 28 series



Dimensions



Technical Data

Mechanical specifications

Material	galvanized steel black
----------	------------------------

Release date: 2020-03-24 Date of issue: 2020-06-30 Filename: 281662_eng.pdf

Refer to "General Notes Relating to Pepperl+Fuchs Product Information".

Pepperl+Fuchs Group
www.pepperl-fuchs.com

USA: +1 330 486 0001
fa-info@us.pepperl-fuchs.com

Germany: +49 621 776 1111
fa-info@de.pepperl-fuchs.com

Singapore: +65 6779 9091
fa-info@sg.pepperl-fuchs.com

PEPPERL+FUCHS

Technical Data

Mass	approx. 320 g
Mounting	sensor Mounting accessories included
Suitable series	
Series	VDM28 , Series 28/29 , R300

Release date: 2020-03-24 Date of issue: 2020-06-30 Filename: 281662_eng.pdf

Refer to "General Notes Relating to Pepperl+Fuchs Product Information".

Pepperl+Fuchs Group
www.pepperl-fuchs.com

USA: +1 330 486 0001
fa-info@us.pepperl-fuchs.com

Germany: +49 621 776 1111
fa-info@de.pepperl-fuchs.com

Singapore: +65 6779 9091
fa-info@sg.pepperl-fuchs.com