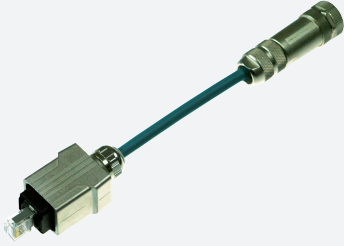


Connection cable

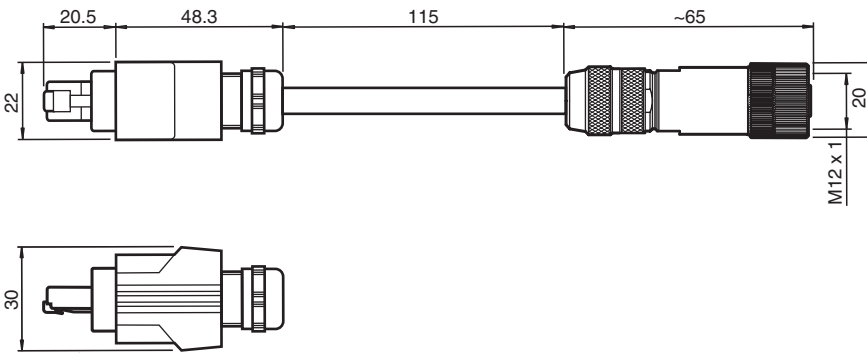
ICZ-AIDA1-V45-0,2M-PUR-V1D-G



Connecting cable RJ-45 to M12 D-coded



Dimensions



Technical Data

General specifications	
Number of pins	4
Electrical specifications	
Rated current	I_r 1.75 A
Ambient conditions	
Ambient temperature	-25 ... 70 °C (-13 ... 158 °F)
Mechanical specifications	
Degree of protection	IP65/IP67
Connection	8-pin RJ-45, D-coded to 4-pin M12 socket
Material	
Contacts	CuZn
Contact surface	Au
Housing	Zinc die-casting, nickel-plated
Body	Zinc die-casting, nickel-plated
Cable	
Sheath diameter	5.8 mm

Release date: 2020-03-24 Date of issue: 2020-03-27 Filename: 2411537_eng.pdf

Refer to "General Notes Relating to Pepperl+Fuchs Product Information".

Pepperl+Fuchs Group
www.pepperl-fuchs.com

USA: +1 330 486 0001
fa-info@us.pepperl-fuchs.com

Germany: +49 621 776 1111
fa-info@de.pepperl-fuchs.com

Singapore: +65 6779 9091
fa-info@sg.pepperl-fuchs.com

 PEPPERL+FUCHS

Technical Data

Color	water blue (RAL 5021)
Cores	4 x 26 AWG

Connection

