



Y connection cable

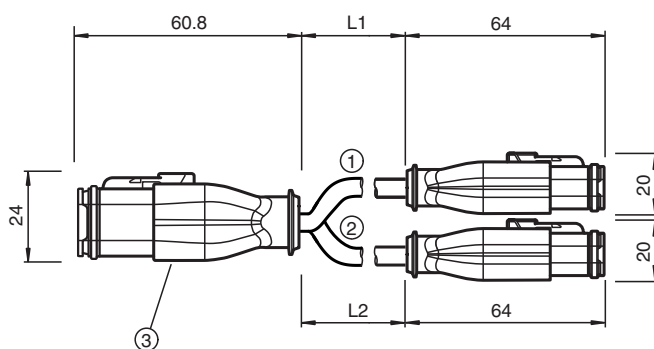
DT2S-G/DT2S-G-3M-PUR-Y-DT6S-G

- Degree of protection IP68
- Free of paint wetting interfering substances
- Resistant to microbes and hydrolysis
- UV resistant
- Oil resistant
- Snap locking

Y connection cable Deutsch socket straight 6-pin to 2x Deutsch socket straight 2-pin, 2x PUR cable black, oil resistant



Dimensions



Technical Data

General specifications

Connector 1	
Connection	socket
Construction type	Deutsch connectors
Style	straight
Locking	snap locking
Number of pins	2
Connector 2	
Connection	socket
Construction type	Deutsch connectors
Style	straight
Locking	snap locking
Number of pins	2
Connector 3	
Connection	socket
Construction type	Deutsch connectors

Release date: 2023-04-28 Date of issue: 2023-04-28 Filename: 70100620_eng.pdf

Refer to "General Notes Relating to Pepperl+Fuchs Product Information".

Pepperl+Fuchs Group
www.pepperl-fuchs.com

USA: +1 330 486 0001
fa-info@us.pepperl-fuchs.com

Germany: +49 621 776 1111
fa-info@de.pepperl-fuchs.com

Singapore: +65 6779 9091
fa-info@sg.pepperl-fuchs.com

PEPPERL+FUCHS

Technical Data

Style		straight
Locking		snap locking
Number of pins		6
Electrical specifications		
Operating voltage	U _B	max. 48 V AC / 60 V DC
Operating current	I _B	max. 4 A
Conformity		
Degree of protection		EN 60529
Halogen-free		IEC 60754-1
Oil resistance		DIN EN 60811-2-1
Ambient conditions		
Ambient temperature		
Plug connector		-40 ... 125 °C (-40 ... 257 °F)
Cable, fixed		-40 ... 85 °C (-40 ... 185 °F)
Cable, flexing		-25 ... 85 °C (-13 ... 185 °F)
Pollution degree		3
Mechanical specifications		
Plug connector		
Loosening protection		available
Degree of protection		IP68
Cable		according to IEC/EN 60228 (DIN VDE 0295) class 6
Sheath diameter		5 mm
Bending radius		> 8 x cable diameter, moving > 4 x cable diameter, fixed
Sheath stripping force		max. 50 N / 300 mm
Sheath color		black (similar to RAL 7021)
Number of cores		2
Core cross section		0.75 mm ² / 18 AWG
Cores color		Core 1: blue Core 2: brown Core 5: brown Core 6: blue
Core construction		42 x 0.15 mm Ø
Length	L	3 m
Cable code		Li 9Y 11Y 2 x 0.75
Material		
PWIS free		yes
Halogen-free		yes
Plug connector		
Body		PA, black
Contact surface		Ni
Flammability		V-0
Cable		
Sheathing		PUR based on polyether
Core insulation		PP
UV resistance		yes
Chemical resistance		good
Oil resistance		yes
Microbial resistance		yes
Hydrolysis resistance		yes

Release date: 2023-04-28 Date of issue: 2023-04-28 Filename: 70100620_eng.pdf

Refer to "General Notes Relating to Pepperl+Fuchs Product Information".

Pepperl+Fuchs Group
www.pepperl-fuchs.com

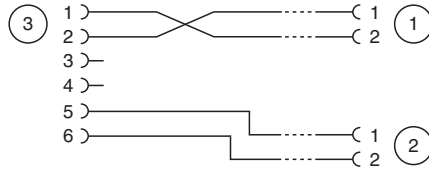
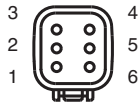
USA: +1 330 486 0001
fa-info@us.pepperl-fuchs.com

Germany: +49 621 776 1111
fa-info@de.pepperl-fuchs.com

Singapore: +65 6779 9091
fa-info@sg.pepperl-fuchs.com

 PEPPERL+FUCHS

Connection Assignment



Release date: 2023-04-28 Date of issue: 2023-04-28 Filename: 70100620_eng.pdf