



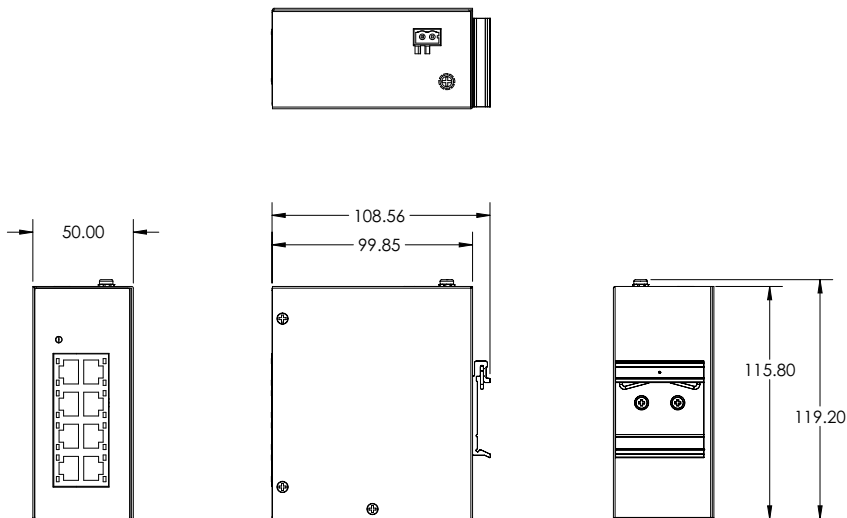
Ethernet switch unmanaged ICRL2-U-8RJ45-DIN

- Eight - 10/100BASE-TX ports
- Rugged housing for use in harsh environments
- Suitable for PROFINET IO and EtherNet/IP
- Extended temperature range

Ethernet unmanaged switch with 8 RJ45 ports and extended temperature range



Dimensions



Technical Data

General specifications

UL File Number E223772

Functional safety related parameters

MTBF 706

Ethernet Interface

Number of ports	8
Auto-MDI(-X)	yes
Autonegotiation	yes
Ethernet Interface	Industrial Ethernet
Transfer rate	10BASE-T, 100BASE-TX

Release date: 2023-11-02 Date of issue: 2023-11-02 Filename: 70156867_eng.pdf

Refer to "General Notes Relating to Pepperl+Fuchs Product Information".

Pepperl+Fuchs Group
www.pepperl-fuchs.com

USA: +1 330 486 0001
fa-info@us.pepperl-fuchs.com

Germany: +49 621 776 1111
fa-info@de.pepperl-fuchs.com

Singapore: +65 6779 9091
fa-info@sg.pepperl-fuchs.com

PEPPERL+FUCHS

Technical Data

Network performance		Jumbo frame size: 1552 bytes Broadcast storm protection for broadcast packet
Cable type		Category 5e or better
Switch properties		
MAC address table size		1K
Standards		
IEEE 802.3 10BASE-T		yes
IEEE 802.3u 100BASE-TX		yes
IEEE 802.3x Flow Control and Back-pressure		yes
Indicators/operating means		
LED indication		see manual
Electrical specifications		
Rated operating voltage	U _e	12 ... 48 V DC
Power consumption		3 W
General information		Current overload protection, Power input polarity protection
Nominal voltage		24 V DC
Current consumption		typ. 7 mA
Interface 1		
Physical		RJ45
Transfer rate		10/100 Mbps
Inputs/Outputs		
Number/Type		8 x RJ45
Directive conformity		
Electromagnetic compatibility		
Directive 2014/30/EU		EN 61000-4-2:2009, IEC 61000-4-2:2008 EN IEC 61000-4-3:2020, IEC 61000-4-3:2020 EN 61000-4-4:2012, IEC 61000-4-4:2012 EN 61000-4-5:2014+A1:2017, IEC 61000-4-5:2014+A1:2017 EN 61000-4-6:2014+AC:2015, IEC 61000-4-6:2013+COR1:2015 EN 61000-4-8:2010, IEC 61000-4-8:2009 EN IEC 61000-6-4:2019
Standard conformity		
Electrical safety		CSA C22.2 No. 61010-1-12 UL 61010-1, IEC 61010-2-201
Emitted interference		EN 55032, FCC Part 15 Subpart B, ICES-003, AS/NZS CISPR 32
Noise immunity		EN 55035:2017/A11:2020
Shock resistance		EN 60068-2-27
Vibration resistance		IEC 60068-2-6
Ambient conditions		
Ambient temperature		-40 ... 75 °C (-40 ... 167 °F)
Storage temperature		-40 ... 85 °C (-40 ... 185 °F)
Relative humidity		max. 95 %
Altitude		0 ... 3048 m
Mechanical specifications		
Degree of protection		IP30
Connection		Power Supply Terminal Block Ethernet 8 x RJ45
Material		
Housing		Aluminum
Mass		435 g
Construction type		Cabinet module
Mounting		DIN rail or direct panel mounting

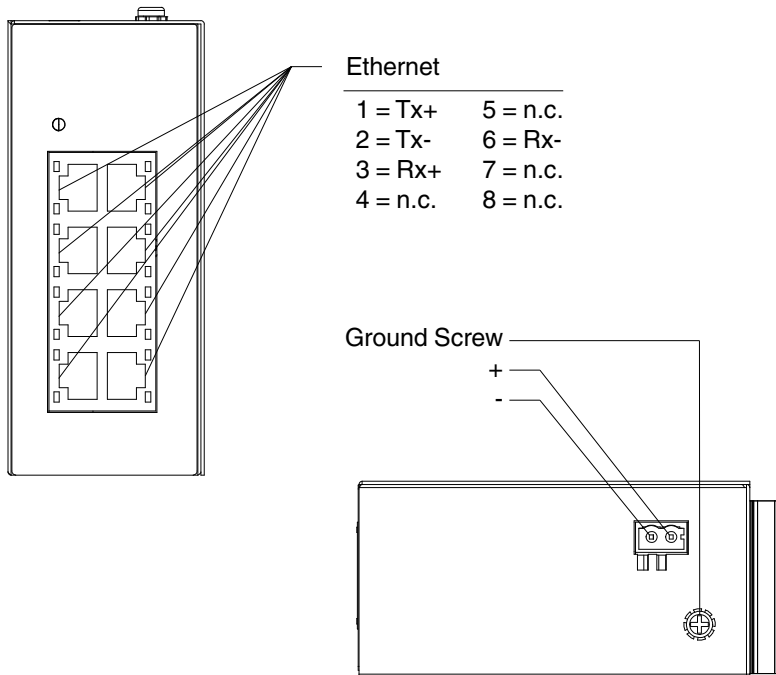
Release date: 2023-11-02 Date of issue: 2023-11-02 Filename: 70156867_eng.pdf

Refer to "General Notes Relating to Pepperl+Fuchs Product Information".

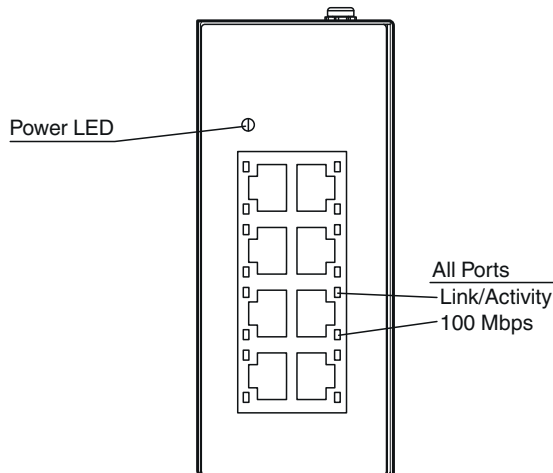
Pepperl+Fuchs Group
www.pepperl-fuchs.comUSA: +1 330 486 0001
fa-info@us.pepperl-fuchs.comGermany: +49 621 776 1111
fa-info@de.pepperl-fuchs.comSingapore: +65 6779 9091
fa-info@sg.pepperl-fuchs.com

PEPPERL+FUCHS

Connection



Indication



Release date: 2023-11-02 Date of issue: 2023-11-02 Filename: 70156867_eng.pdf