



Mounting aid OMH-ML100-09

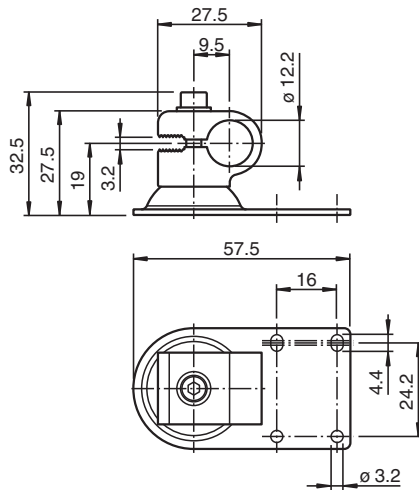


- Bracket for round steel or sheet
- Simple and fast mounting

Mounting aid for round steel \varnothing 12 mm or sheet 1.5 mm ... 3 mm



Dimensions



Technical Data

Mechanical specifications

Material	Aluminum Stainless steel
Mass	approx. 50 g
Mounting	Mounting accessories included
Note	Infinitely adjustable on all axes

Suitable series

Series	ML100 ; R100
--------	--------------

Release date: 2020-06-29 Date of issue: 2020-06-30 Filename: 70114071_eng.pdf

Refer to "General Notes Relating to Pepperl+Fuchs Product Information".

Pepperl+Fuchs Group
www.pepperl-fuchs.com

USA: +1 330 486 0001
fa-info@us.pepperl-fuchs.com

Germany: +49 621 776 1111
fa-info@de.pepperl-fuchs.com

Singapore: +65 6779 9091
fa-info@sg.pepperl-fuchs.com

PF PEPPERL+FUCHS