



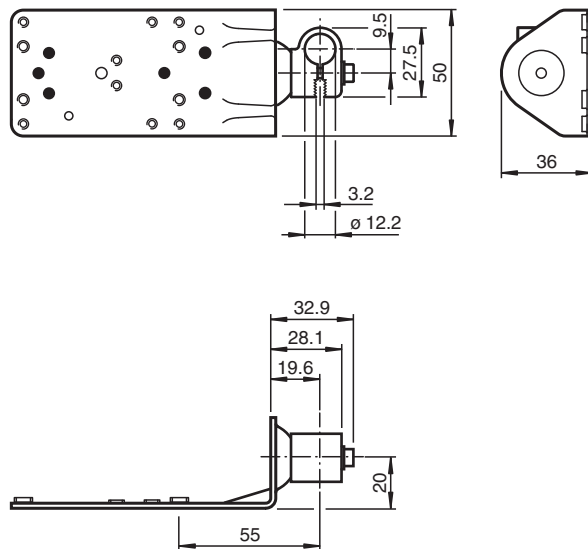
Mounting aid

IUZ-MH15

- Multipart mounting kit
- Pipe mounting

Mounting aid for round steel \varnothing 12 mm or sheet 1.5 mm ... 3 mm

Dimensions



Technical Data

Mechanical specifications

Material	Aluminum Metal sheet (steel), zinc-plated
Screwed connection	Screws for assembly included
Mass	390 g
Note	Infinitely adjustable on all axes

Release date: 2020-03-24 Date of issue: 2020-03-27 Filename: 301915_eng.pdf

Refer to "General Notes Relating to Pepperl+Fuchs Product Information".

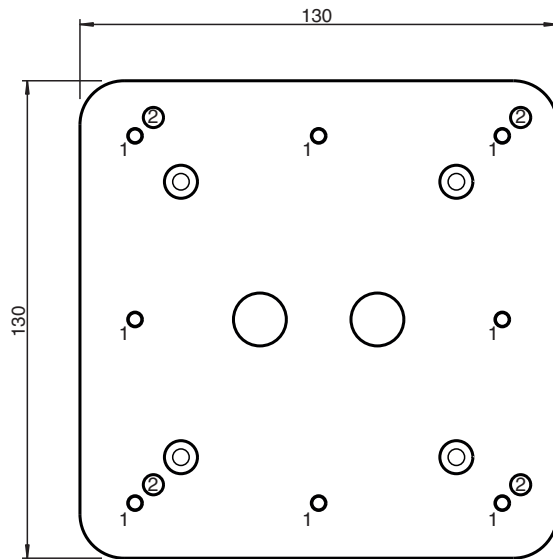
Pepperl+Fuchs Group
www.pepperl-fuchs.com

USA: +1 330 486 0001
fa-info@us.pepperl-fuchs.com

Germany: +49 621 776 1111
fa-info@de.pepperl-fuchs.com

Singapore: +65 6779 9091
fa-info@sg.pepperl-fuchs.com

pepperl+fuchs



- 1 = IUH-F190-V1-* Ø M4
- 2 = IUH-F192-V1-* Ø M5

Release date: 2020-03-24 Date of issue: 2020-03-27 Filename: 301915_eng.pdf