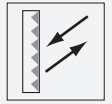




## Reflective tape

### RT2 X 100

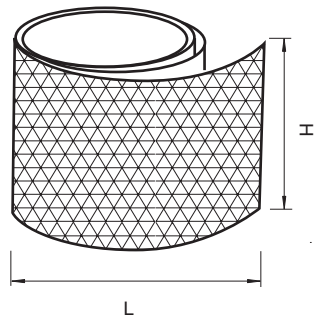
- Reflective tape, pre-cut, corner-cube
- 150' rolls available
- Can be cut



Reflective tape



## Dimensions



## Technical Data

### General specifications

Construction type rectangular

### Ambient conditions

Ambient temperature -20 ... 82.22 °C (-4 ... 180 °F)

### Mechanical specifications

Dimensions 2.0 inch x 100.0 inch (50.8 mm x 2540 mm)

Mounting self-adhesive

Storage Store cool and dry

Release date: 2020-03-20 Date of issue: 2020-06-29 Filename: 093707\_eng.pdf

Refer to "General Notes Relating to Pepperl+Fuchs Product Information".

Pepperl+Fuchs Group  
www.pepperl-fuchs.com

USA: +1 330 486 0001  
fa-info@us.pepperl-fuchs.com

Germany: +49 621 776 1111  
fa-info@de.pepperl-fuchs.com

Singapore: +65 6779 9091  
fa-info@sg.pepperl-fuchs.com

**PF** PEPPERL+FUCHS

## Application

### Reflectors

Polarized retro-reflective sensors must use corner-cube reflectors.

Microstructure, corner-cube reflectors are used with laser retro-reflective sensors that have short sensing distances.