

Reflector

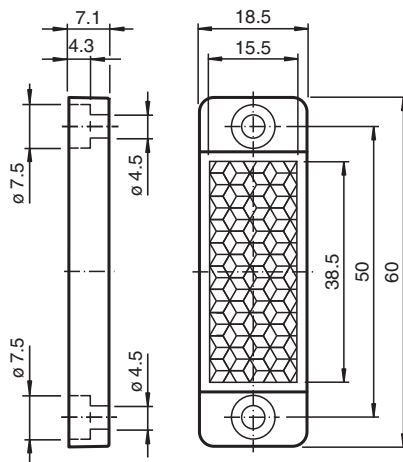
REF-H18x40HT



- Mounting holes for simple installation
- High temperature rated to 120 °C (248 °F)

Reflector, rectangular 18.5 mm x 60 mm, mounting holes, high temperature applications

Dimensions



Technical Data

General specifications

Construction type rectangular

Ambient conditions

Ambient temperature -20 ... 120 °C (-4 ... 248 °F) ; briefly (< 2 min) up to 160 °C (320 °F)

Mechanical specifications

Material PMMA

Dimensions 18.5 mm x 60 mm x 7.1 mm

Mounting mounting holes

Release date: 2020-03-23 Date of issue: 2020-06-29 Filename: 204132_eng.pdf

Refer to "General Notes Relating to Pepperl+Fuchs Product Information".

Pepperl+Fuchs Group
www.pepperl-fuchs.com

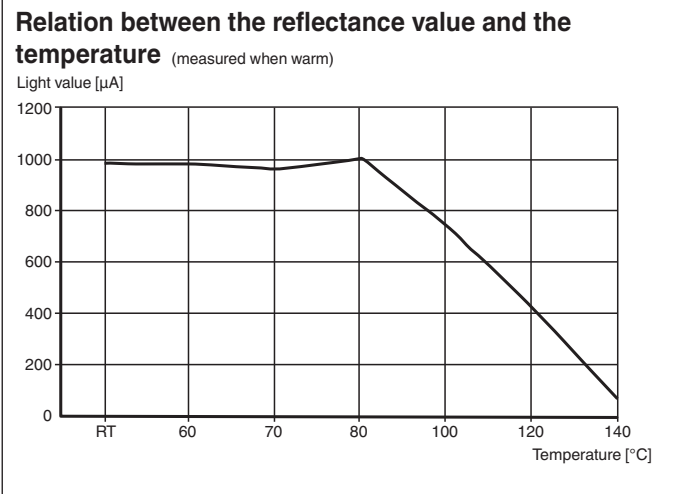
USA: +1 330 486 0001
fa-info@us.pepperl-fuchs.com

Germany: +49 621 776 1111
fa-info@de.pepperl-fuchs.com

Singapore: +65 6779 9091
fa-info@sg.pepperl-fuchs.com

PF PEPPERL+FUCHS

Characteristic Curve



Release date: 2020-03-23 Date of issue: 2020-06-29 Filename: 204132_eng.pdf

Refer to "General Notes Relating to Pepperl+Fuchs Product Information".

Pepperl+Fuchs Group
www.pepperl-fuchs.com

USA: +1 330 486 0001
fa-info@us.pepperl-fuchs.com

Germany: +49 621 776 1111
fa-info@de.pepperl-fuchs.com

Singapore: +65 6779 9091
fa-info@sg.pepperl-fuchs.com