



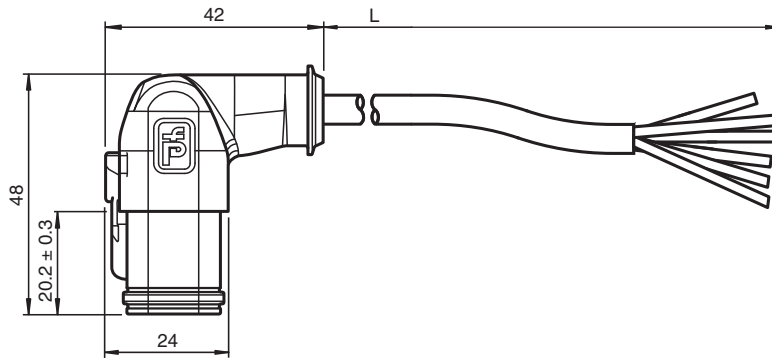
## Female cordset DT6S-W-BK3M-PUR-O1

- Hard-wearing PUR cable
- Degree of protection IP68
- Free of paint wetting interfering substances
- Resistant to microbes and hydrolysis
- UV resistant
- Oil resistant
- Snap locking

Female cordset single-ended Deutsch socket angled 6-pin, PUR cable black, drag chain suitable, outdoor



### Dimensions



### Technical Data

General specifications			
Connector 1			
Connection			socket
Construction type			Deutsch connectors
Style			angled
Locking			snap locking
Number of pins			6
Connector 2			
Connection			cable end
Electrical specifications			
Operating voltage	$U_B$		max. 48 V AC / 60 V DC
Operating current	$I_B$		max. 8 A per contact
Conformity			
Degree of protection			EN 60529
Flammability			UL 1581; DIN EN 60332-2-2
Halogen-free			DIN VDE 0472-815 / IEC 60754-1
Oil resistance			DIN EN 60811-2-1

Release date: 2023-08-10 Date of issue: 2023-08-10 Filename: 70167544\_eng.pdf

Refer to "General Notes Relating to Pepperl+Fuchs Product Information".

Pepperl+Fuchs Group  
www.pepperl-fuchs.com

USA: +1 330 486 0001  
fa-info@us.pepperl-fuchs.com

Germany: +49 621 776 1111  
fa-info@de.pepperl-fuchs.com

Singapore: +65 6779 9091  
fa-info@sg.pepperl-fuchs.com

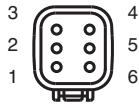
PEPPERL+FUCHS

## Technical Data

Ambient conditions		
Ambient temperature		
Plug connector		-40 ... 125 °C (-40 ... 257 °F)
Cable, fixed		-40 ... 105 °C (-40 ... 221 °F)
Cable, flexing		-30 ... 105 °C (-22 ... 221 °F)
Pollution degree		3
Mechanical specifications		
Plug connector		
Loosening protection		available
Degree of protection		IP68
Cable		according to IEC/EN 60228 (DIN VDE 0295) class 6
Sheath diameter		6 mm
Bending radius		> 10 x cable diameter, moving > 5 x cable diameter, fixed
Sheath stripping force		max. 50 N / 300 mm
Sheath color		black (similar to RAL 7021)
Number of cores		6
Core cross section		0.5 mm <sup>2</sup>
Cores color		Core 1: white Core 2: brown Core 3: blue Core 4: orange Core 5: green Core 6: black
Core construction		28 x 0.15 mm Ø 1 x symmetrically twisted
Length	L	3 m
Cable code		Li 9Y 11Y 6 x 0,50
Drag chain suitability		
Drag chain cycles		min. 2000000
Motion velocity		max. 3 m/s
Traverse distance		max. 10 m
Acceleration		max. 10 m/s <sup>2</sup>
Material		
PWIS free		yes
Halogen-free		yes
Plug connector		
Body		PA, black
Contact surface		Ni
Flammability		V-2
Cable		
Sheathing		PUR based on polyether
Core insulation		PP
Salt water resistance		yes
UV resistance		yes
Chemical resistance		good
Oil resistance		yes
Microbial resistance		yes
Hydrolysis resistance		yes
Flammability		FT2

Release date: 2023-08-10 Date of issue: 2023-08-10 Filename: 70167544\_eng.pdf

# Connection Assignment



- 1 ) ..... WH
- 2 ) ..... BN
- 3 ) ..... BU
- 4 ) ..... OG
- 5 ) ..... GN
- 6 ) ..... BK

Release date: 2023-08-10 Date of issue: 2023-08-10 Filename: 70167544\_eng.pdf

Refer to "General Notes Relating to Pepperl+Fuchs Product Information".

Pepperl+Fuchs Group  
www.pepperl-fuchs.com

USA: +1 330 486 0001  
fa-info@us.pepperl-fuchs.com

Germany: +49 621 776 1111  
fa-info@de.pepperl-fuchs.com

Singapore: +65 6779 9091  
fa-info@sg.pepperl-fuchs.com