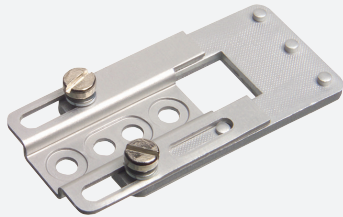
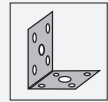


Mounting aid MH 04-3742A



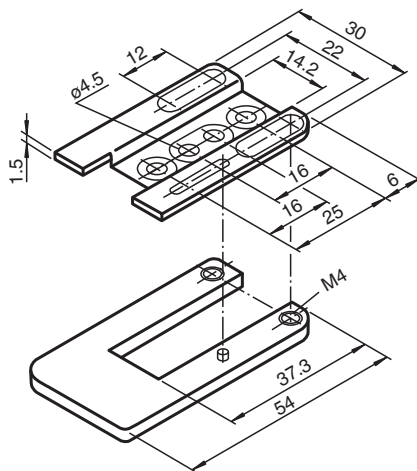
- Suitable for VariKont and -M1K- sensors
- Fixing screws for VariKont included in delivery

Mounting aid for VariKont and -M1K-

Function

The mounting bracket type 04-3742 simplifies the adjustment of sensors of the model line VariKont M® and the series -M1K- according to EN 50047. It permits the fitted and wired sensor to be repositioned by up to 12 mm. By loosening the M4 x 20 sensor mounting screws, the sensor can be easily moved backwards and forwards. Thus, the switch point can be set exactly. The screws are then tightened to secure the sensor in position. Fixing screws for VariKont M are included with delivery.

Dimensions



Technical Data

Mechanical specifications

Material	aluminum
Dimensions	54 mm x 30 mm

Release date: 2020-06-29 Date of issue: 2020-06-29 Filename: 013734_eng.pdf

Refer to "General Notes Relating to Pepperl+Fuchs Product Information".

Pepperl+Fuchs Group
www.pepperl-fuchs.com

USA: +1 330 486 0001
fa-info@us.pepperl-fuchs.com

Germany: +49 621 776 1111
fa-info@de.pepperl-fuchs.com

Singapore: +65 6779 9091
fa-info@sg.pepperl-fuchs.com

pf PEPPERL+FUCHS