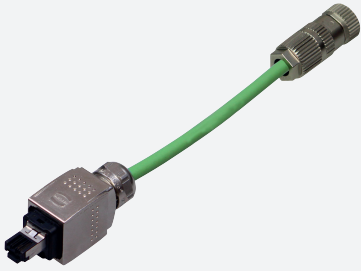


Connection cable

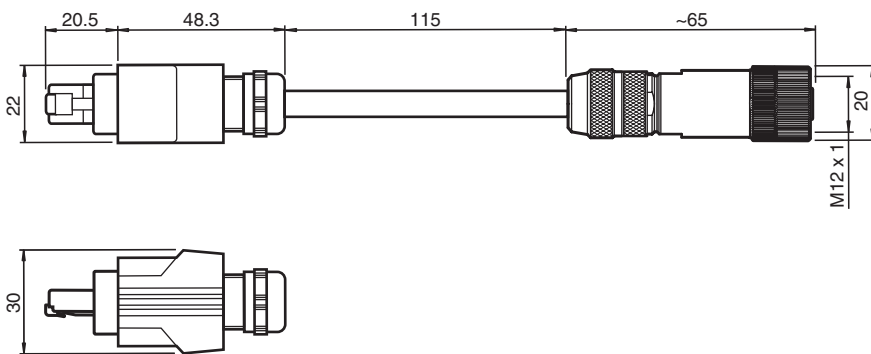
ICZ-AIDA2-V45-0,2M-PUR-V1D-G



Connecting cable RJ-45 to M12 D-coded



Dimensions



Technical Data

General specifications			
Number of pins			4
Electrical specifications			
Operating voltage	U_B		max. 50 V
Rated current	I_r		1.75 A
Ambient conditions			
Ambient temperature			-25 ... 70 °C (-13 ... 158 °F)
Mechanical specifications			
Degree of protection			IP65/IP67
Connection			8-pin RJ-45, D-coded to 4-pin M12 socket
Material			
Contacts			CuZn
Contact surface			Au
Housing			Zinc die-casting, nickel-plated
Body			Zinc die-casting, nickel-plated
Cable			

Release date: 2020-03-24 Date of issue: 2020-03-27 Filename: 255000_eng.pdf

Refer to "General Notes Relating to Pepperl+Fuchs Product Information".

Pepperl+Fuchs Group
www.pepperl-fuchs.com

USA: +1 330 486 0001
fa-info@us.pepperl-fuchs.com

Germany: +49 621 776 1111
fa-info@de.pepperl-fuchs.com

Singapore: +65 6779 9091
fa-info@sg.pepperl-fuchs.com

 PEPPERL+FUCHS

Technical Data

Sheath diameter	5.8 mm
Color	green
Cores	4 x 26 AWG

Connection

