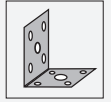


# Mounting aid DGE Montageplatte FLT

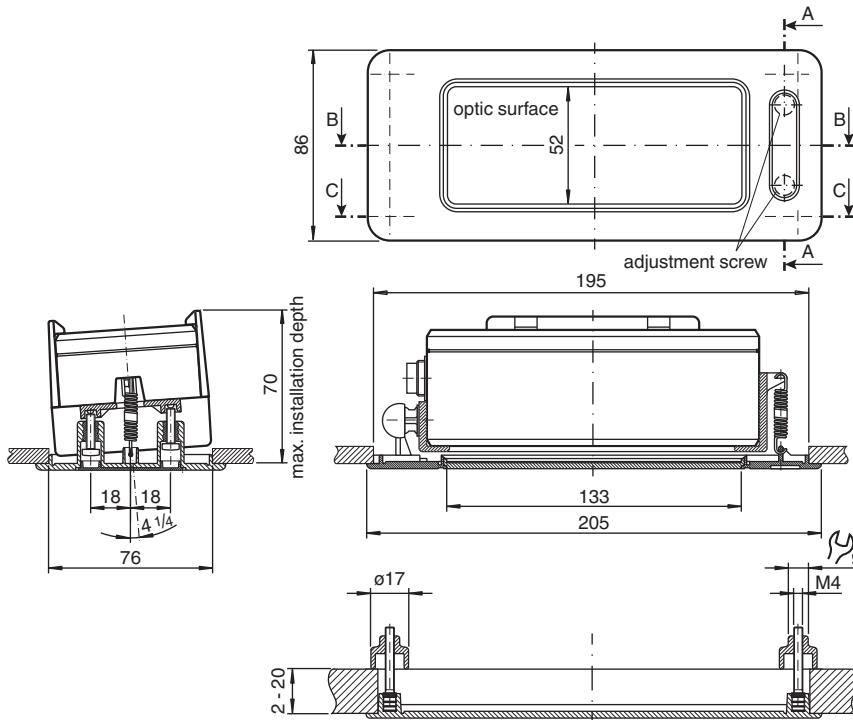


- Mounting plate for the installation of FLT-8 series sensors in suspended ceilings
- Front panel specially toughened and crack resistant
- Carrying frame for sensor with adjustable 4-point fixture
- Precise sensor orientation using additional adjustment screws

Mounting plate for FLT-8 series sensors



## Dimensions



## Technical Data

### Mechanical specifications

Material	Plastic ABS
Optical face	Clear Plexiglas
Mass	approx. 155 g
<b>Suitable series</b>	
Series	FLT-8

Release date: 2020-03-21 Date of issue: 2020-10-08 Filename: 414130\_eng.pdf

Refer to "General Notes Relating to Pepperl+Fuchs Product Information".

Pepperl+Fuchs Group  
www.pepperl-fuchs.com

USA: +1 330 486 0001  
fa-info@us.pepperl-fuchs.com

Germany: +49 621 776 1111  
fa-info@de.pepperl-fuchs.com

Singapore: +65 6779 9091  
fa-info@sg.pepperl-fuchs.com

**PF** PEPPERL+FUCHS

## Mounting

Used to install sensors in suspended ceilings.

The sensor can be rotated after it is installed by two screws accessible from the front. This makes it possible to adjust the recording range accurately.

After the setting has been made, the adjustment screws can be hidden behind the accompanying cover flap.