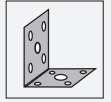




# Mounting aid

## OMH-ML17

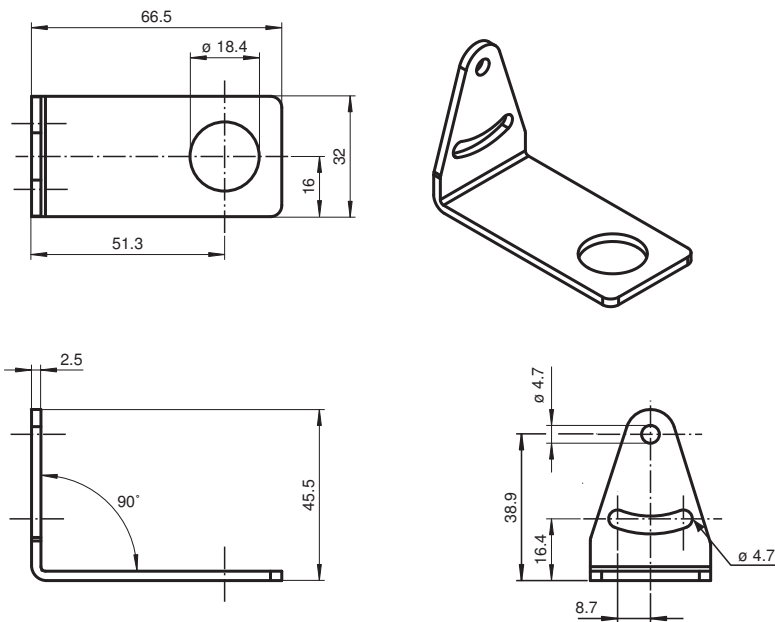
- Mounting bracket
- Simple and fast mounting



Mounting bracket



### Dimensions



### Technical Data

#### General specifications

Inside diameter 18 mm

#### Mechanical specifications

Material Stainless steel

#### Suitable series

Series ML17

Release date: 2020-03-23 Date of issue: 2020-06-30 Filename: 908730\_eng.pdf

Refer to "General Notes Relating to Pepperl+Fuchs Product Information".

Pepperl+Fuchs Group  
www.pepperl-fuchs.com

USA: +1 330 486 0001  
fa-info@us.pepperl-fuchs.com

Germany: +49 621 776 1111  
fa-info@de.pepperl-fuchs.com

Singapore: +65 6779 9091  
fa-info@sg.pepperl-fuchs.com