



Splitter boxes

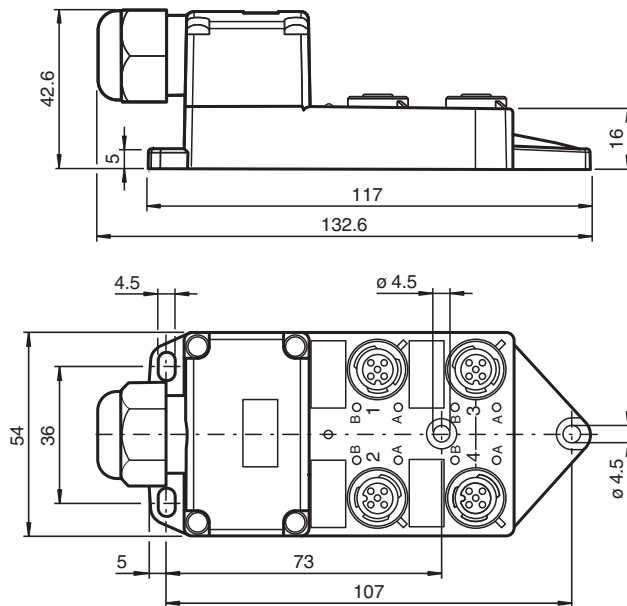
V1-4/8A-E2

- Fast, simple installation with cage clamp terminals
- Twin communication of the plug-in stations
- LED indicator for module supply and I/O status

Splitter box quadruple, twin configuration, with cage-clamp terminals



Dimensions



Technical Data

General specifications

Number of pins	5
UL File Number	E191152

Indicators/operating means

LED green	supply voltage each module
LED yellow	I/O status indication

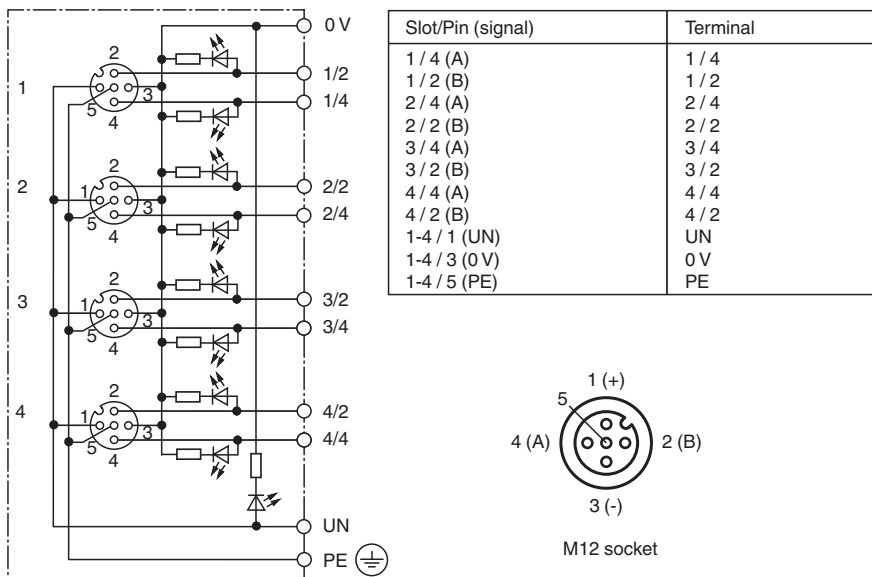
Electrical specifications

Operating voltage	U_B	max. 24 V DC -20 % / +25 %
Operating current	I_B	≤ 5 mA per channel indication element

Technical Data

Current loading capacity	≤ 2 A per channel, ≤ 4 A per plug-in station, ≤ 8 A total current per distributor
Output	
Number/Type	4 , twin configuration
Conformity	
Degree of protection	EN 60529
Flammability	UL 94
Ambient conditions	
Ambient temperature	-25 ... 80 °C (-13 ... 176 °F)
Mechanical specifications	
Connection type	4 x socket M12 x 1 5-pin 1 x terminal compartment
Degree of protection	IP65/IP67
Connection	Signal and energy: Cage tension spring terminals flexible: 0.2 mm ² ... 1 mm ² rigid: 0.2 mm ² ... 1.5 mm ² Sensor/actuator: 5-pin, M12 x 1 socket
Material	
Contacts	Cu alloy
Contact surface	Au
Housing	PBT
Threaded bushings	PBT
Seal	O-ring: NBR
Cable	
Sheath diameter	7 mm ... 12 mm
Flammability	V-0

Connection




Release date: 2023-04-13 Date of issue: 2023-04-13 Filename: 259973_eng.pdf

Accessories

	V15S-Y-V15/V15	Y-Splitter M12 plug to 2x M12 socket 5-pin A-coded
	MH V1-BIT M12	plug-in cap M12

Accessories

	VAZ-V1-B3L	Blind plug for M12 sockets
---	-------------------	----------------------------

Release date: 2023-04-13 Date of issue: 2023-04-13 Filename: 259973_eng.pdf

Refer to "General Notes Relating to Pepperl+Fuchs Product Information".

Pepperl+Fuchs Group
www.pepperl-fuchs.com

USA: +1 330 486 0001
fa-info@us.pepperl-fuchs.com

Germany: +49 621 776 1111
fa-info@de.pepperl-fuchs.com

Singapore: +65 6779 9091
fa-info@sg.pepperl-fuchs.com