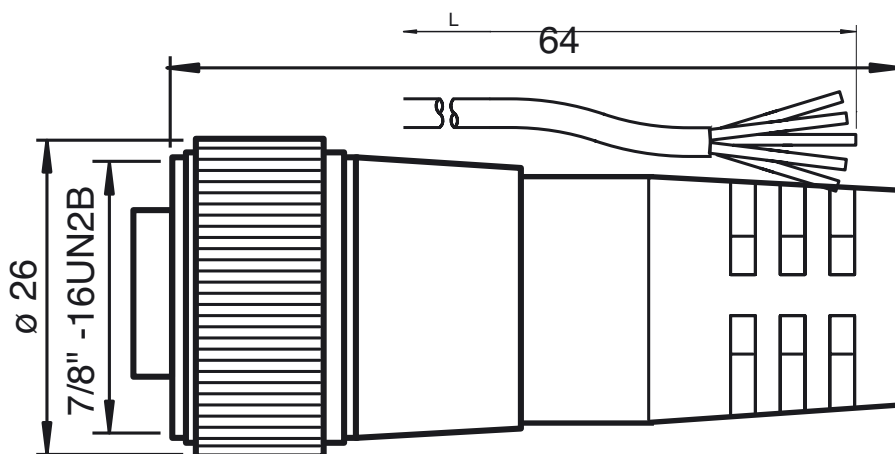


Dimensions



Model Number

V95-G-YE5M-PVC-22

Female cordset, 7/8" - 16 UNF, 5-pin, PVC cable

Features

- Thread 7/8 inch
- Immunity to vibration

Technical data

General specifications

| | |
|---------------------|-----------|
| Number of pins | 5 |
| Connection 1 | socket |
| Construction type 1 | straight |
| Threading 1 | 7/8 inch |
| Connection 2 | cable end |

Electrical specifications

| | | |
|-------------------|-------|------------|
| Operating voltage | U_B | max. 300 V |
| Operating current | I_B | max. 4 A |

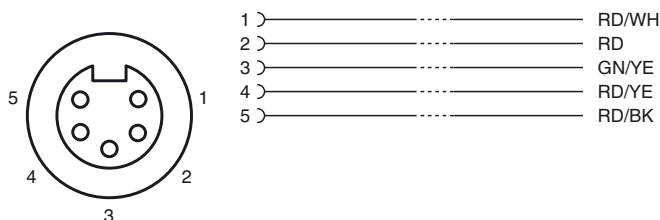
Ambient conditions

| | |
|---------------------|---------------------------------|
| Ambient temperature | -25 ... 105 °C (-13 ... 221 °F) |
| Pollution degree | 3 |

Mechanical specifications

| | |
|----------------------|--------------------------|
| Degree of protection | IP68 |
| Material | |
| Contacts | gold plated copper alloy |
| Body | PVC |
| Cable | PVC |
| Slotted nut | nickel-plated brass |
| Cable | fine-strand, flexible |
| Sheath diameter | Ø 5.7 mm |
| Color | yellow |
| Cores | 5 x 0.34 mm ² |
| Length | L 5 m |

Electrical connection



Release date: 2018-04-09 14:50 Date of issue: 2018-04-09 913067_eng.xml

Refer to "General Notes Relating to Pepperl+Fuchs Product Information".