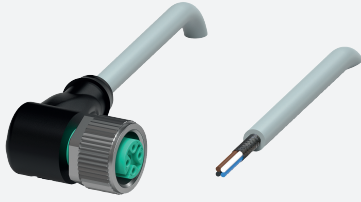


# Cable socket, shielded

## V1-W-30M-PUR-ABG

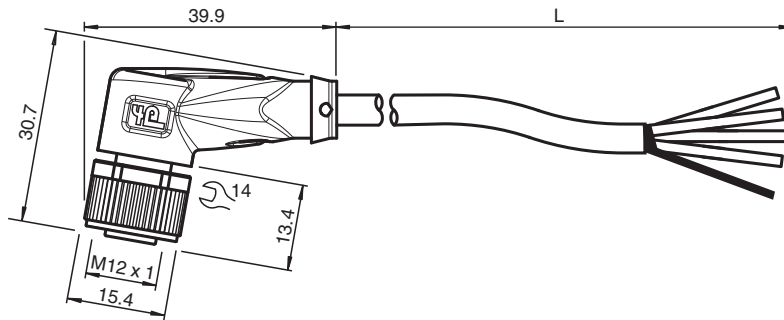


- Degree of protection IP68 / IP69
- Halogen-free
- Shield connected to screw connection
- Specific design protects against loosening and inaccurate installation

Female cordset single-ended M12 angled A-coded, 4-pin, PUR cable grey, shielded



### Dimensions



### Technical Data

#### General specifications

|                   |                  |
|-------------------|------------------|
| Connector 1       |                  |
| Connection        | socket           |
| Construction type | M12              |
| Style             | angled           |
| Locking           | screw connection |
| Number of pins    | 4                |
| Coding            | A-coded          |
| Connector 2       |                  |
| Connection        | cable end        |

#### Electrical specifications

|                   |       |                        |
|-------------------|-------|------------------------|
| Operating voltage | $U_B$ | max. 48 V AC / 60 V DC |
| Operating current | $I_B$ | max. 4 A               |

#### Conformity

|                      |                                      |
|----------------------|--------------------------------------|
| Degree of protection | EN 60529                             |
| Plug connection      | connector M12 x 1 : IEC 61076-2-101  |
| Halogen-free         | DIN VDE 0472-815<br>DIN EN 50267-2-1 |

#### Ambient conditions

|                     |                                |
|---------------------|--------------------------------|
| Ambient temperature |                                |
| Plug connector      | -40 ... 90 °C (-40 ... 194 °F) |
| Cable, fixed        | -40 ... 80 °C (-40 ... 176 °F) |

Release date: 2023-08-23 Date of issue: 2023-08-23 Filename: 240005-100004\_eng.pdf

Refer to "General Notes Relating to Pepperl+Fuchs Product Information".

Pepperl+Fuchs Group  
www.pepperl-fuchs.com

USA: +1 330 486 0001  
fa-info@us.pepperl-fuchs.com

Germany: +49 621 776 1111  
fa-info@de.pepperl-fuchs.com

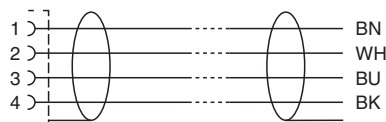
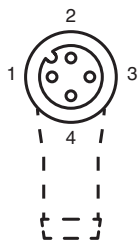
Singapore: +65 6779 9091  
fa-info@sg.pepperl-fuchs.com

PEPPERL+FUCHS


## Technical Data

|                                  |   |      |
|----------------------------------|---|------|
| Cable, flexing                   | -25 ... 80 °C (-13 ... 176 °F)                                  |      |
| Pollution degree                 | 3   |      |
| <b>Mechanical specifications</b> |   |      |
| Plug connector                   |   |      |
| Tightening torque                | 0.6 Nm  |      |
| Loosening protection             | available   |      |
| Tool installation                | straight knurling and hexagon nut SW = 14 mm                    |      |
| Mating cycles                    | min. 100  |      |
| Shielding                        | shield connected to screw connection                            |      |
| Degree of protection             | IP68 / IP69   |      |
| Cable                            | according to IEC/EN 60228 (DIN VDE 0295) class 5                |      |
| Sheath diameter                  | 4.8 mm  |      |
| Bending radius                   | > 10 x cable diameter, moving<br>> 5 x cable diameter, fixed    |      |
| Sheath stripping force           | max. 100 N / 300 mm   |      |
| Sheath color                     | grey (similar to RAL 7001)                                      |      |
| Number of cores                  | 4   |      |
| Core cross section               | 0.34 mm <sup>2</sup>  |      |
| Cores color                      | Core 1: brown<br>Core 2: white<br>Core 3: blue<br>Core 4: black |      |
| Core construction                | 19 x 0.15 mm Ø  |      |
| Shield                           | tinned copper braiding, 85 % coverage                           |      |
| Length                           | L   | 30 m |
| Cable code                       | Li 9Y 11YM 4 x 0.34   |      |
| <b>Material</b>                  |   |      |
| Halogen-free                     | yes   |      |
| Plug connector                   |   |      |
| Screw connection                 | Zinc diecast, nickel-plated                                     |      |
| Body                             | TPU, black  |      |
| Seal                             | FKM   |      |
| Contact surface                  | gold plated (Au)  |      |
| Flammability                     | V-2   |      |
| Cable                            |   |      |
| Sheathing                        | PUR based on polyether  |      |
| Core insulation                  | PP  |      |
| Chemical resistance              | good  |      |

## Connection



## Accessories

|   |                          |                             |
|---|--------------------------|-----------------------------|
|  | <b>MH V1-SCREWDRIVER</b> | Torque screwdriver (0.6 Nm) |
|---|--------------------------|-----------------------------|

## Accessories

|   |                              |  |
|---|------------------------------|--|
|  | <b>MH V1-BIT M12</b>         | plug-in cap M12                                  |
|  | <b>V1/V3-LABELHOLDER</b>     | Label holder                                     |
|  | <b>V1/V3-LABEL</b>           | Label plate                                      |
|  | <b>MH V1-Holder</b>          | Modular universal holder for M12 connectors      |
|  | <b>V1-CLIP</b>               | Unlocking protector for M12 connector            |
|  | <b>V1-MARKING-RING-COLOR</b> | Marking rings for M12 connectors, various colors |