



# Splitter box M8

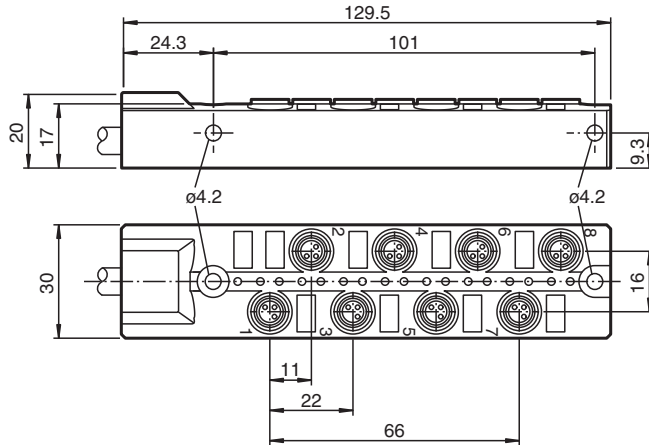
## V3-8A-E2-10M-PUR

- Flat housing
- LED indicator for module supply and I/O status
- Degree of protection IP67
- Suitable for drag chains and abrasion resistant

Splitter box 8 x M8 single allocation, with trunk cable



### Dimensions



### Technical Data

#### General specifications

Connector 1	
Connection	socket
Construction type	8x M8
Locking	screw connection
Number of pins	3
Coding	A-coded
Connector 2	
Connection	cable end
UL File Number	E223772

#### Indicators/operating means

LED green	supply voltage each module
LED yellow	I/O status indication

#### Electrical specifications

Operating voltage	$U_B$	24 V DC, max. 30 V DC
Operating current	$I_B$	≤ 5 mA per channel indication element

Release date: 2023-04-28 Date of issue: 2023-04-28 Filename: 70132543\_eng.pdf

Refer to "General Notes Relating to Pepperl+Fuchs Product Information".

## Technical Data

Current loading capacity		≤ 2 A per channel, ≤ 2 A per plug-in station, ≤ 6 A total current per splitter box
<b>Conformity</b>		
Degree of protection		EN 60529
Plug connection		connector M8 x 1 : IEC 61076-2-104
Flammability		UL 94
<b>Approvals and certificates</b>		
UL approval		AWM STYLE 20549 (cable)
<b>Ambient conditions</b>		
Ambient temperature		
Plug connector		-25 ... 80 °C (-13 ... 176 °F)
Cable, fixed		-40 ... 90 °C (-40 ... 194 °F)
Cable, flexing		-5 ... 80 °C (23 ... 176 °F)
<b>Mechanical specifications</b>		
Plug connector		
Tightening torque		0.2 Nm
Mating cycles		min. 100
Degree of protection		IP67
Cable		
Sheath diameter		7.9 mm
Bending radius		> 10 x cable diameter, moving > 7.5 x cable diameter, fixed
Sheath color		black (similar to RAL 9005)
Cores		Signal wires (4): 8 x 0.34 mm <sup>2</sup> Supply line (1, 3): 2 x 0.75 mm <sup>2</sup>
Cores color		Core 1/4 (A): white Core 2/4 (A): green Core 3/4 (A): yellow Core 4/4 (A): grey Core 5/4 (A): pink Core 6/4 (A): red Core 7/4 (A): black Core 8/4 (A): violet Core 1 ... 8/1 (+24 V): brown Core 1 ... 8/3 (0 V): blue
Core construction		Signal line (4): 19 x 0.15 mm Supply line (1, 3): 42 x 0.15 mm
Length	L	10 m
Cable code		Li YY 11Y-HF
Drag chain suitability		
Drag chain cycles		min. 1500000
Motion velocity		max. 2 m/s
Traverse distance		2 m
<b>Material</b>		
PWIS free		yes
Plug connector		
Screw connection		Cu alloy , nickel-plated
Body		PBT, black
Seal		FKM
Contact surface		Ni/Au
Flammability		V-0
Cable		
Sheathing		PUR
Core insulation		PVC
Chemical resistance		good
<b>General information</b>		

Release date: 2023-04-28 Date of issue: 2023-04-28 Filename: 70132543\_eng.pdf

Refer to "General Notes Relating to Pepperl+Fuchs Product Information".

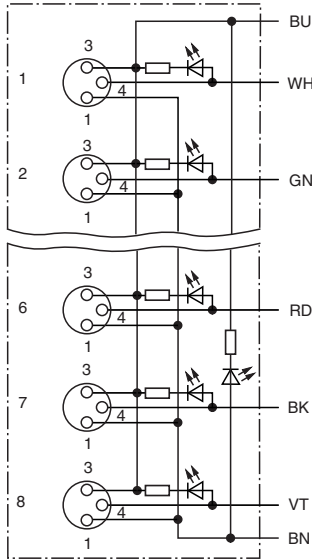
Pepperl+Fuchs Group  
www.pepperl-fuchs.comUSA: +1 330 486 0001  
fa-info@us.pepperl-fuchs.comGermany: +49 621 776 1111  
fa-info@de.pepperl-fuchs.comSingapore: +65 6779 9091  
fa-info@sg.pepperl-fuchs.com

**PEPPERL+FUCHS**

**Technical Data**

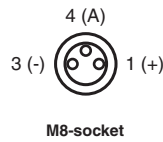
**Note** During installation of cables respect the maximum allowed bending radius. Excessive bending forces endanger the degree of protection. Secure the connector from mechanical forces, for example by means of cable ties. Close unused plug-in slots prior to commissioning. Respective sealing elements you will find under "accessories".

**Connection**



Core colour	M8-socket/pole
WH	1/4 (A)
GN	2/4 (A)
YE	3/4 (A)
GY	4/4 (A)
PK	5/4 (A)
RD	6/4 (A)
BK	7/4 (A)
VT	8/4 (A)
BN	1 ... 8/1 (+24 V)
BU	1 ... 8/3 (0 V)

**Displays**



**Accessories**

	<b>VAZ-V3-B</b>	Blind plug for M8 sockets
---	-----------------	---------------------------

Release date: 2023-04-28 Date of issue: 2023-04-28 Filename: 70132543\_eng.pdf