

Splitter boxes

V1-4A-E-5M-PUR

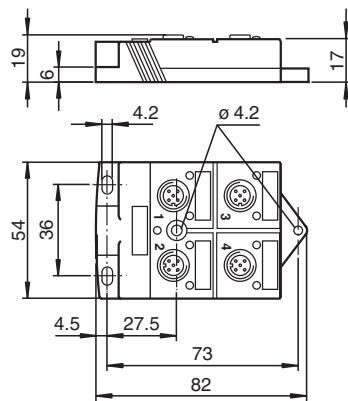


- Flat housing
- LED indicator for module supply and I/O status
- Degree of protection IP67
- UL Recognized Component

Quadruple splitter box with M12 connector with basic cable, NPN



Dimensions



Technical Data

General specifications

Number of pins	4
UL File Number	E191152

Indicators/operating means

LED green	supply voltage each module
LED yellow	I/O status indication

Electrical specifications

Operating voltage	U_B	24 V DC, max. 30 V DC
Operating current	I_B	≤ 5 mA per channel indication element
Current loading capacity		≤ 2 A per channel, ≤ 4 A per plug-in station, ≤ 12 A total current per separator

Output

Number/Type	4
-------------	---

Compliance with standards and directives

Standard conformity	
Degree of protection	EN 60529
Flammability	DIN EN 50265-2-1

Release date: 2022-03-28 Date of issue: 2022-03-28 Filename: 202623_eng.pdf

Refer to "General Notes Relating to Pepperl+Fuchs Product Information".

Pepperl+Fuchs Group
www.pepperl-fuchs.com

USA: +1 330 486 0001
fa-info@us.pepperl-fuchs.com

Germany: +49 621 776 1111
fa-info@de.pepperl-fuchs.com

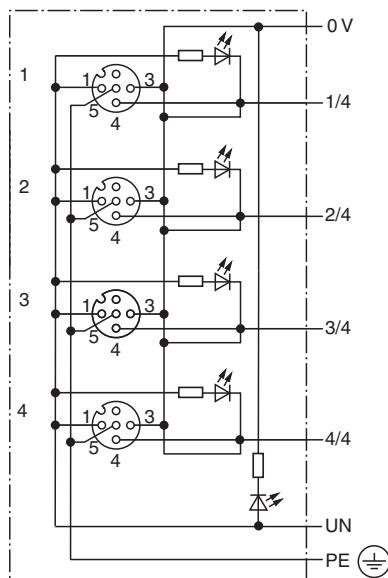
Singapore: +65 6779 9091
fa-info@sg.pepperl-fuchs.com

 PEPPERL+FUCHS

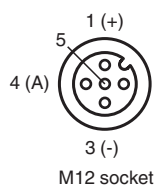
Technical Data

Ambient conditions		
Ambient temperature		-25 ... 75 °C (-13 ... 167 °F) cable, flexing: -5 ... 80 °C (23 ... 176 °F) cable, fixed: -40 ... 90 °C (-40 ... 194 °F)
Mechanical specifications		
Connection type		4 x socket M12 x 1 4-pin Master cable
Degree of protection		IP65/IP67
Material		
Contacts		CuSn
Contact surface		Ni/Au
Housing		PA
Cable		PUR
Seal		O-ring: NBR
Cable		
Cable		flexible
Sheath diameter		8.7 mm
Bending radius		> 10 x cable diameter, moving
Color		black
Cores		Signal line (4): 4 x 0.34 mm ² (AWG 22) Supply line (1, 3), PE (5): 3 x 0.75 mm ² (AWG 18)
Conductor construction		42 x 0.1 mm Ø 96 x 0.1 mm Ø
Length	L	5 m
Mass		approx. 609 g
Flammability		94 V-0

Connection



Slot/Pin (signal)	Color
1 / 4 (A)	WH
2 / 4 (A)	GN
3 / 4 (A)	YE
4 / 4 (A)	GY
1-4 / 1 (UN)	BN
1-4 / 3 (0 V)	BU
1-4 / 5 (PE)	GN/YE






Release date: 2022-03-28 Date of issue: 2022-03-28 Filename: 202623_eng.pdf

Accessories

	MH 05-SACB-4	Mounting aid for splitter boxes for DIN rail
--	---------------------	--

Refer to "General Notes Relating to Pepperl+Fuchs Product Information".

Accessories

	MH V1-BIT M12	plug-in cap M12
	MH V1-SCREWDRIVER	torque screwdriver (0.6 Nm)
	VAZ-V1-B3L	Blind plug for M12 sockets

Release date: 2022-03-28 Date of issue: 2022-03-28 Filename: 202623_eng.pdf

Refer to "General Notes Relating to Pepperl+Fuchs Product Information".

Pepperl+Fuchs Group
www.pepperl-fuchs.com

USA: +1 330 486 0001
fa-info@us.pepperl-fuchs.com

Germany: +49 621 776 1111
fa-info@de.pepperl-fuchs.com

Singapore: +65 6779 9091
fa-info@sg.pepperl-fuchs.com